

# CONTENTS

GLASS CONNECTORS . . . . .	3 - 6	
GLASS DOOR LOCKS & ACCESSORIES . . . . .	7 - 18	
SHELF SUPPORTS FOR GLASS . . . . .	19 - 23	
ADJUSTABLE SHELF SUPPORTS (PELICANS) . . . . .	24 - 25	
GLASS CLAMPS . . . . .	26 - 29	
MAGNETIC TOUCH LATCHES . . . . .	30	
STRIKING PLATES . . . . .	31	
GLASS DOOR HINGES FOR DRILLING . . . . .	32 - 34	
BUTT HINGES FOR UV-GLUE . . . . .	35	
GLASS PIVOT HINGES - NO DRILLING . . . . .	36 - 37	
GLASS DOOR HINGES - NO DRILLING . . . . .	38 - 40	
GLASS DOOR PULLS FOR SLIDING DOORS . . . . .	41	

GLASS DOOR HANDLES - NO DRILLING . . . . . 42



ACCESSORIES F/MIRRORS . . . . . 43 - 44



SIGNBOARD SCREWS & HOLDERS . . . . . 45 - 46



SUCTION PADS & BUMPERS . . . . . 47



TABLE LEG F/GLASS TABLE TOPS . . . . . 47



SHELVING LEG SYSTEM „THE POST“ . . . . . 48



SAUNA HINGES F/GLASS DOORS . . . . . 49 - 50



SAUNA HINGES F/WOODEN DOORS . . . . . 51



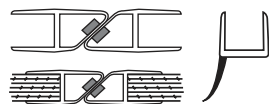
ACCESSORIES F/SAUNA DOORS . . . . . 52 - 53



SHOWER DOOR HINGES, CLAMPS, SUPPORT BARS  
& ACCESSORIES, DOOR KNOBS & HANDLES . . . . . 54 - 72



PVC SEALS FOR SHOWER DOORS . . . . . 73



SLIDING DOOR SYSTEM F/GLASS DOORS . . . . . 74



GLASS CALCULATION . . . . . 75



SISO SAN - TOILET ACCESSORIES . . . . . 76 - 77

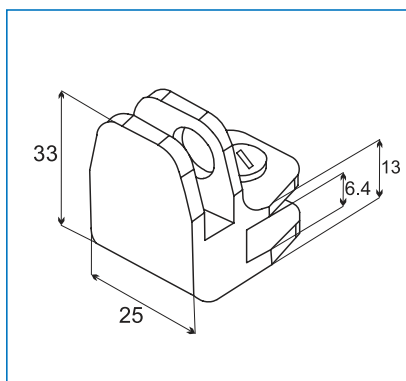


# GLASS CONNECTORS - TYPE „MAXI“ ZAMAK - GLASS THICKNESS 4-6 MM

## GLASS CONNECTOR 2-WAY 90°

33 x 33 x 25 mm height

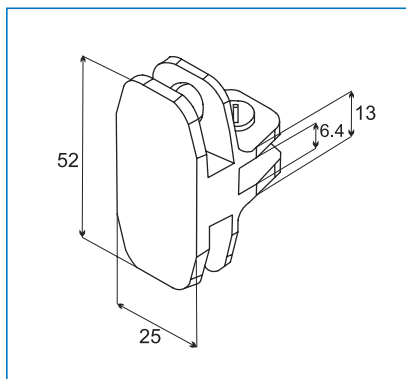
Chrome plated	# 22.10.100
Brass plated	# 22.10.101
Black anodized	# 22.10.102
Alu finish	# 22.10.103



## GLASS CONNECTOR 3-WAY T-JOINT

52 x 33 x 25 mm height

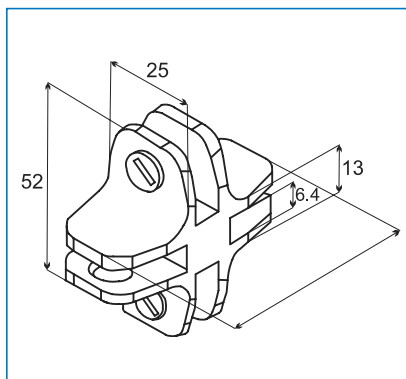
Chrome plated	# 22.10.110
Brass plated	# 22.10.111
Black anodized	# 22.10.112
Alu finish	# 22.10.113



## GLASS CONNECTOR 4-WAY 90°

52 x 52 x 25 mm height

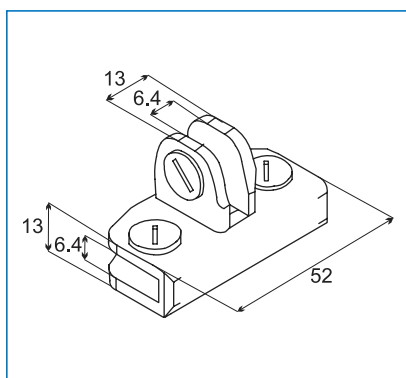
Chrome plated	# 22.10.120
Brass plated	# 22.10.121
Black anodized	# 22.10.122
Alu finish	# 22.10.123



## GLASS CONNECTOR 3-WAY T-JOINT

Closed end - bottom/top connector

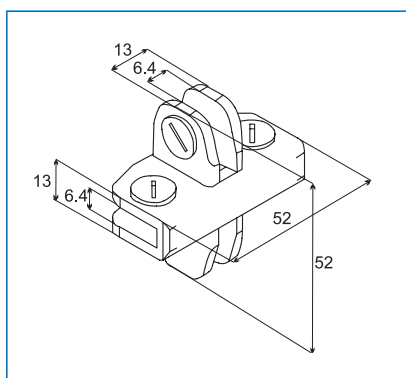
Chrome plated	# 22.10.130
Brass plated	# 22.10.131
Black anodized	# 22.10.132
Alu finish	# 22.10.133



## GLASS CONNECTOR 4-WAY 90°

Closed end - bottom/top connector

Chrome plated	# 22.10.140
Brass plated	# 22.10.141
Black anodized	# 22.10.142
Alu finish	# 22.10.143



### GLASS CONNECTOR HINGE

60 mm open width x 40 mm height.

Chrome plated # 22.10.010  
 Brass plated # 22.10.011  
 Black anodized # 22.10.012



### GLASS CONNECTOR HINGE

60 mm open width x 22 mm height.

Chrome plated # 22.10.020  
 Brass plated # 22.10.021  
 Black anodized # 22.10.022



### GLASS CONNECTOR 2-WAY - 90°

33 x 33 mm x 22 mm height

Chrome plated # 22.10.060  
 Brass plated # 22.10.061  
 Black anodized # 22.10.062



### GLASS CONNECTOR 3-WAY - T-JOINT

52 x 34 mm x 22 mm height

Chrome plated # 22.10.040  
 Brass plated # 22.10.041  
 Black anodized # 22.10.042



### GLASS CONNECTOR 4-WAY - 90°

52 x 52 mm x 22 mm height

Chrome plated # 22.10.050  
 Brass plated # 22.10.051  
 Black anodized # 22.10.052



### GLASS CONNECTOR 4-WAY - 90°

52 x 52 mm x 22 mm height  
 bottom mounted connector

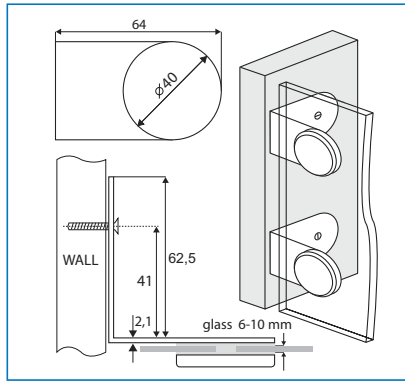
Chrome plated # 22.10.055  
 Brass plated # 22.10.056  
 Black anodized # 22.10.057



# WALL/GLASS & GLASS/GLASS CONNECTORS

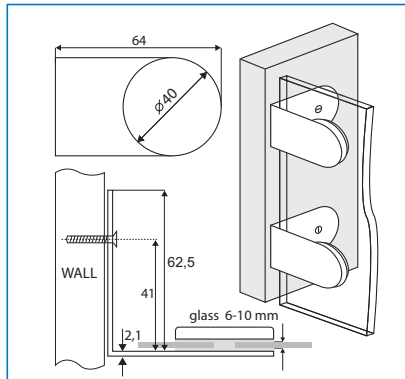
## WALL-TO-GLASS CONNECTOR 90° OUTER SIDE

**Application:** Connecting glass plates  
Drilling required  
**Material:** Brass, 2,1 mm thickness  
**Size:** 62,5 x 62,5 x 40 mm  
**Bore hole:**  $\varnothing 10$  mm  
**Glass thickness:** 6-8 mm  
Alu finish # 22.10.065  
Chrome plated # 22.10.066  
**Packing:** 10 pcs per carton



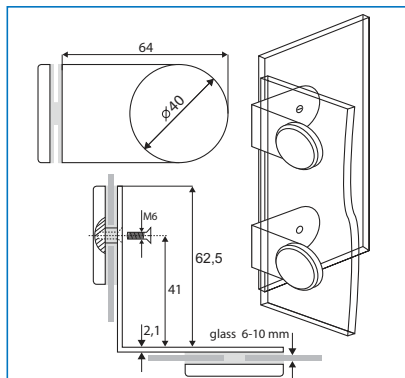
## WALL-TO-GLASS CONNECTOR 90° INNER SIDE

**Application:** Connecting glass plates  
Drilling required  
**Material:** Brass, 2,1 mm thickness  
**Size:** 62,5 x 62,5 x 40 mm  
**Bore hole:**  $\varnothing 10$  mm  
**Glass thickness:** 6-8 mm  
Alu finish # 22.10.070  
Chrome plated # 22.10.071  
**Packing:** 10 pcs per carton



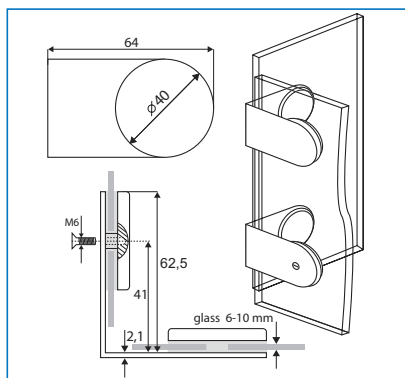
## GLASS-TO-GLASS CONNECTOR 90° OUTER SIDE

**Application:** Connecting glass plates  
Drilling required  
**Material:** Brass, 2,1 mm thickness  
**Size:** 62,5 x 62,5 x 40 mm  
**Bore hole:**  $\varnothing 10$  mm  
**Glass thickness:** 6-8 mm  
Alu finish # 22.10.075  
Chrome plated # 22.10.076  
**Packing:** 10 pcs per carton



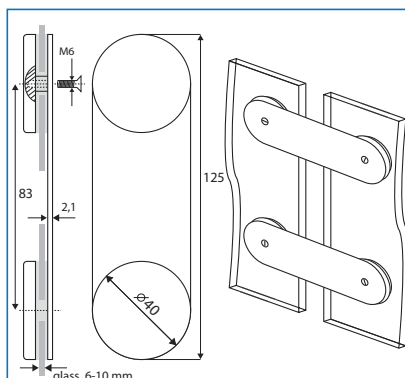
## GLASS-TO-GLASS CONNECTOR 90° INNER SIDE

**Application:** Connecting glass plates  
Drilling required  
**Material:** Brass, 2,1 mm thickness  
**Size:** 62,5 x 62,5 x 40 mm  
**Bore hole:**  $\varnothing 10$  mm  
**Glass thickness:** 6-8 mm  
Alu finish # 22.10.080  
Chrome plated # 22.10.081  
**Packing:** 10 pcs per carton



## GLASS-TO-GLASS CONNECTOR 180°

**Application:** Connecting glass plates  
Drilling required  
**Material:** Brass, 2,1 mm thickness  
**Size:** 125 x 40 mm  
**Bore hole:**  $\varnothing 10$  mm  
**Glass thickness:** 6-8 mm  
Alu finish # 22.10.085  
Chrome plated # 22.10.086  
**Packing:** 10 pcs per carton



# GLASS/GLASS CONNECTOR #CLAW" 2-WAY

**Application**

Connecting glass plates  
Drilling required

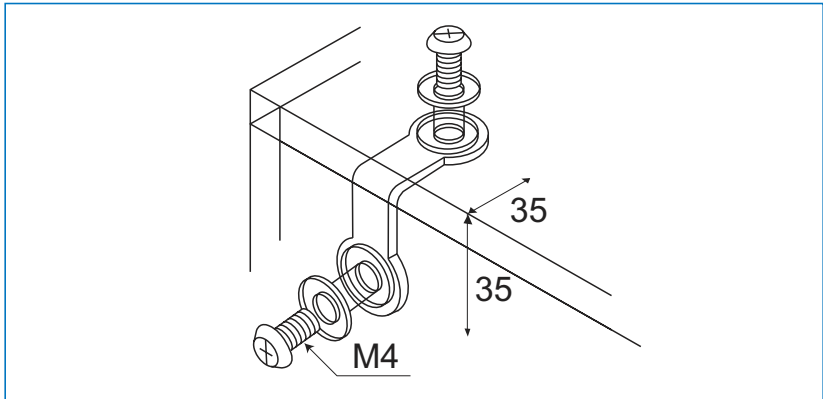
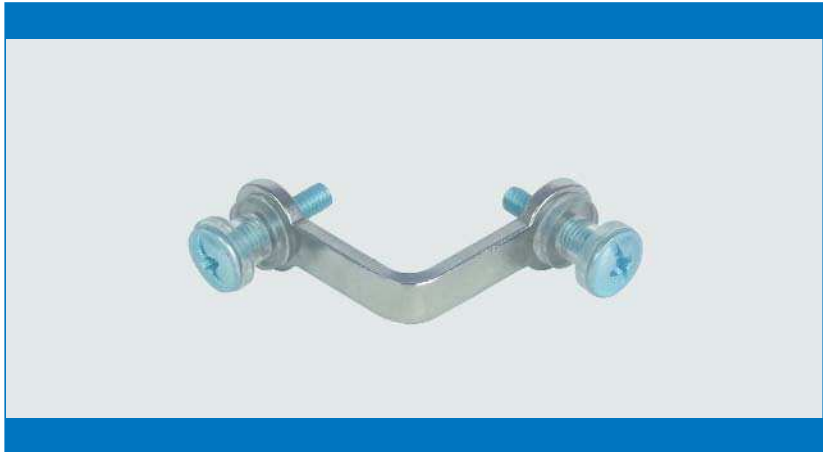
**Material**

2 mm steel, nickel plated

**Size:** 35 x 35 mm  
**Bore hole:** ø 6 mm  
**Bore distance:** 25 mm from  
 centre to edge  
**Glass thickness:** 4 - 8 mm

**Item No.:** # 22.10.090

Inclusive transparent tube & washers



# GLASS/GLASS CONNECTOR #CLAW" 3-WAY

**Application**

Connecting glass plates  
Drilling required

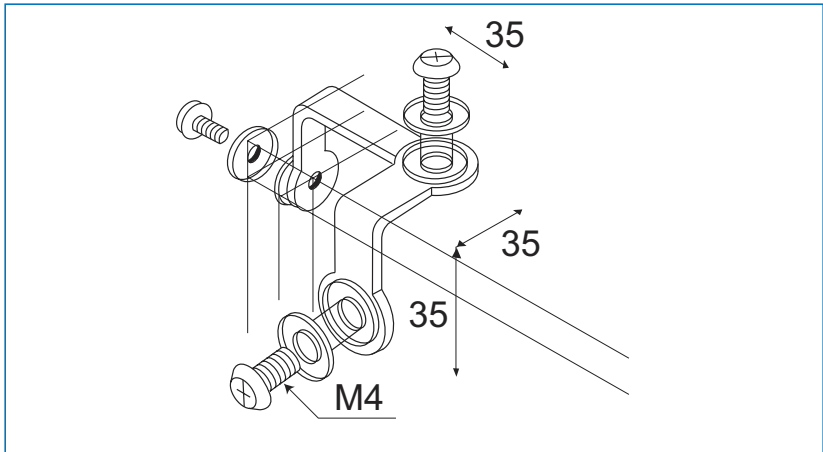
**Material**

2 mm steel, nickel plated

**Size:** 35 x 35 x 35 mm  
**Bore hole:** ø 6 mm  
**Bore distance:** 25 mm from  
 centre to edge  
**Glass thickness:** 4 - 8 mm

**Item No.:** # 22.10.091

Inclusive transparent tube & washers



# GLASS DOOR LOCK „MINI“ SLIDING DOORS



## MODEL „MINI“

**Finish**  
Chrome plated

**Application**  
Glass sliding door

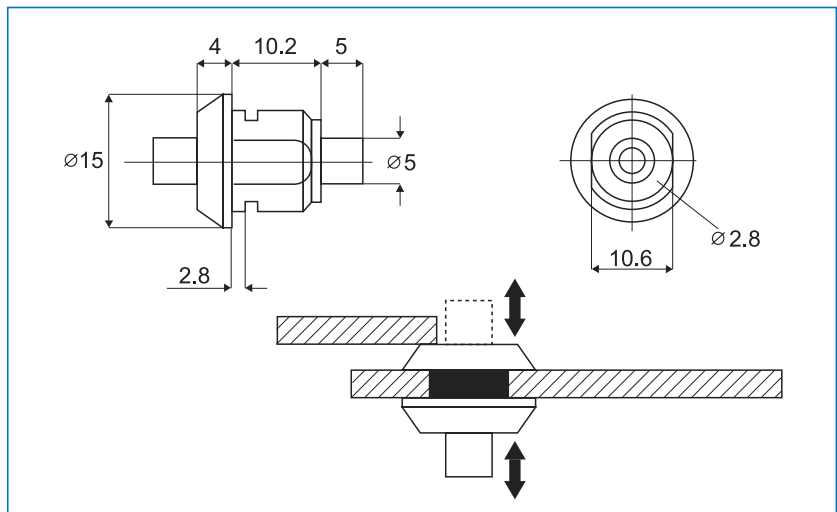
**Accessories for 1 set**  
1 lock  
2 car keys  
1 nut

**Function**  
to lock - push the cylinder  
to unlock - turn key

200 key combinations # 14.03.040  
key alike # 14.03.041

**Options**  
15 000 key combinations

**Packing**  
100 pcs per box  
5 box per export carton



# BRASS GLASS DOOR LOCK „SWAN“ FOR 8-10 MM GLASS

## MODEL „SWAN“

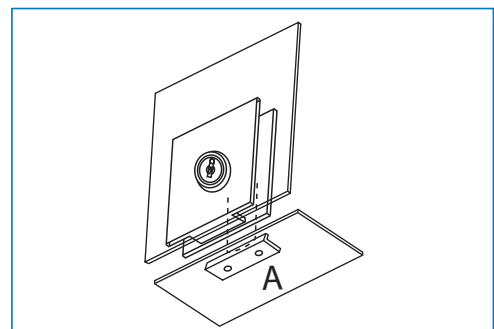
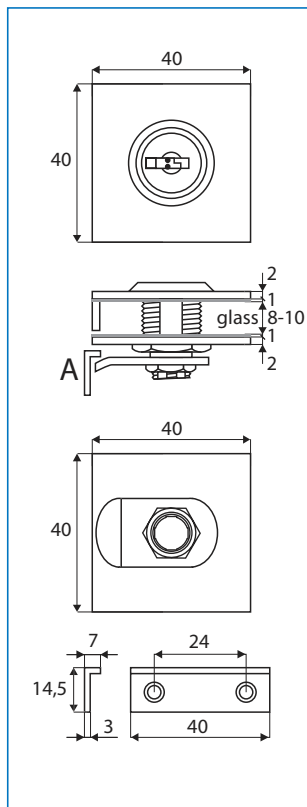
**Finish**  
Gold plated # 14.09.000

**Material**  
Brass

**Consists of:**  
1 cylinder  $\varnothing 20 \times 23$  mm  
1 front plate w/bottom support  
40 x 40 mm  
1 back plate 40 x 40 mm  
2 SISO metal keys, key alike  
2 transparent cushions  
1 hexagonal nut  
1 off-set brass cam  
1 raised brass striker

**Function**  
Turn key 180° to lock or unlock

**Packing**  
100 pcs per export carton



# GLASS DOOR LOCK „AUDIO“ - NO DRILLING

## MODEL „AUDIO“

**Finish**  
Plastic black # 14.09.256

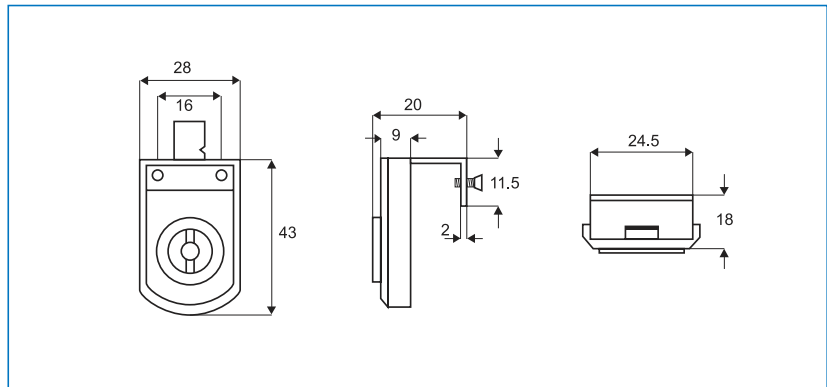
**Application**  
Hinged glass doors  
particularly for audio/hi-fi cabinets  
No boring required

**Accessories for one set**  
1 lock  
1 washer  
2 screws  
2 keys

**Function**  
Turn key 180°  
to lock or unlock

**Specification**  
Plastic/metal combination  
one key change only

**Packing**  
500 pcs per export carton



# GLASS DOOR LOCK #409 SLIDING DOORS

## MODEL # 409

**Finish**  
Brass, chrome plated

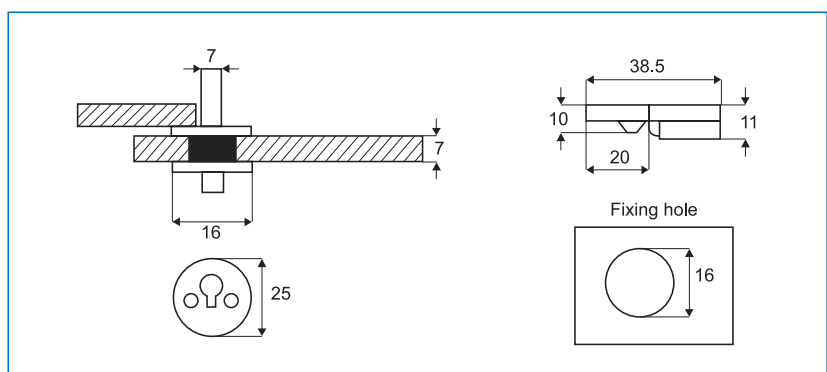
**Application**  
Glass sliding doors

**Accessories for one set**  
1 plug - in cylinder  
1 housing (2 parts)  
2 rubber washers  
2 screws  
2 keys

**Function**  
Place cylinder into lock case,  
turn and remove key,  
key removable in locked  
position only

**Specification**  
Brass lock  
25 key combinations # 14.09.300  
or key alike # 14.09.315

**Packing**  
500 pcs per export carton  
25 pcs per box



# GLASS DOOR LOCK VITRIO „M“ - HINGED DOORS



## MODEL „VITRIO“

### Finish

Chrome plated	# 14.09.350
Alu finish	# 14.09.352
Gold plated	# 14.09.353
Black anodized	# 14.09.351
Brass plated	# 14.09.360

### Application

Double hinged glass doors

Accessories for one set

A) left door

- 1 decorative cylinder
- 1 stainless steel front plate
- 1 hexagonal nut
- 1 plastic washer

B) right door

- 1 off-set hook cam
- 1 stainless steel front plate
- 1 hexagonal nut
- 1 plastic washer
- 2 car keys

### Function

Turn key 90° to lock or unlock

### Specification

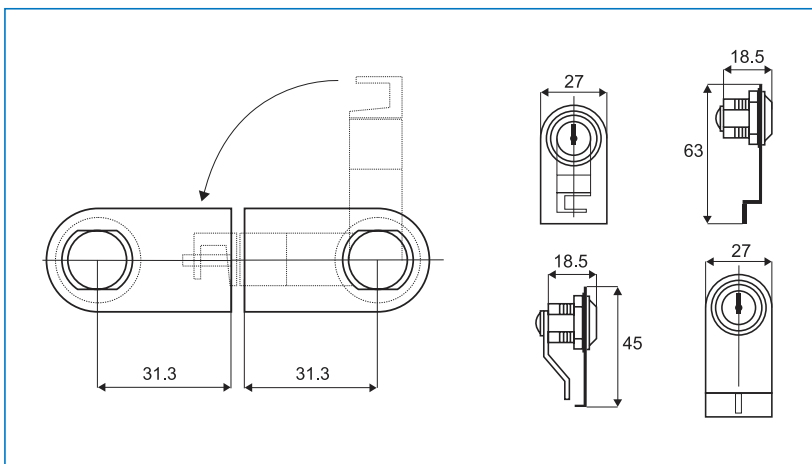
Cylinder zamak  
front plates stainless steel  
400 key combinations or key alike

### Option:

Master key system

### Packing

300 pcs per export carton  
25 pcs per box



# GLASS DOOR LOCK # X-750 - NO DRILLING

## MODEL X-750

### Finish

Chrome plated - 100 mm	# 14.09.025
Chrome plated - 132 mm	# 14.09.030
Chrome plated - 135 mm	# 14.09.029

### Application

Glass sliding doors

### Accessories for one set

- 1 removable lock
- 1 ratchet 100 or 132 mm
- 1 screw w/protection pad
- 2 metal keys

### Function

Mount ratchet into lock with flat end facing the fastening screw (see illustration).

Turn key 180° and remove key to activate the lock

### Specification

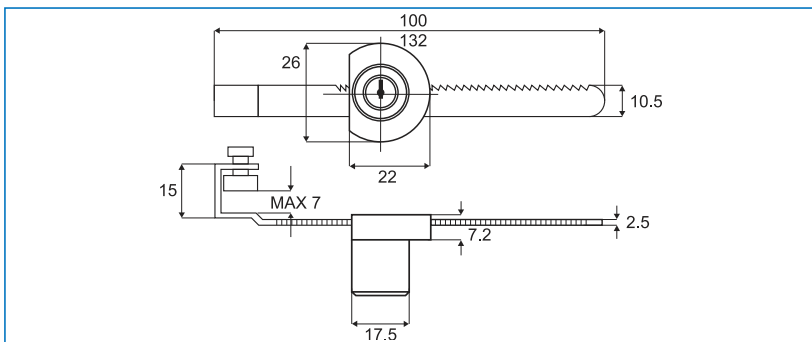
Zamak lock  
Ratchet steel  
25 key combinations

### Option

Master key or key alike

### Packing

240 pcs per export carton  
12 pcs per box



**MODEL # 8600**

**Finish**

- Chrome plated # 14.09.420
- Alu finish # 14.09.423
- Chrome w/Master key # 14.09.422

**Application**

Double sliding glass doors  
on alu rails

**Accessories**

- 1 lock cylinder  $\varnothing$  22 mm
- 1 grub screw for fastening
- 2 metal keys, double entry

**Function**

Push cylinder to lock  
Turn key to unlock

**Specification**

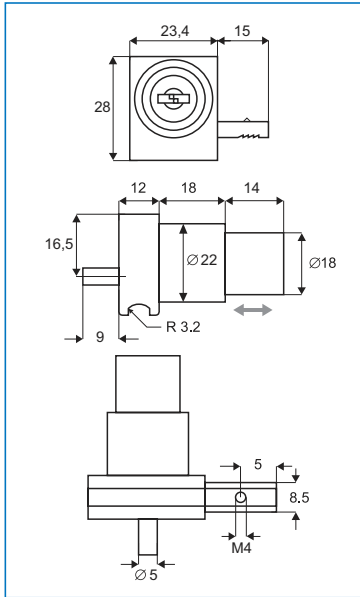
Zamak house: 28 x 24 x 12 mm  
400 key combinations or key alike

**Option:**

Master key

**Packing:**

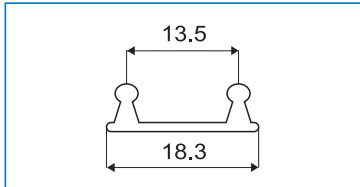
250 pcs per export carton  
25 pcs per box



## ACCESSORIES

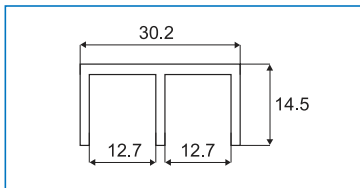
**BOTTOM TRACK**

Aluminium:  
Anodized # 22.26.030  
Standard length: 2 metres



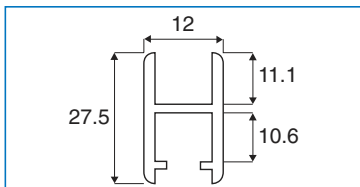
**TOP E-TRACK**

Aluminium:  
Anodized # 22.26.010  
Standard length: 2 metres



**GLASS H-RAIL**

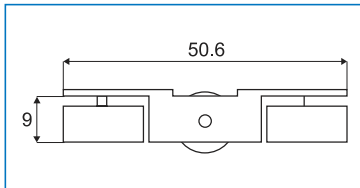
Aluminium:  
Anodized # 22.26.020  
Standard length: 2 metres  
For 5 mm glass thickness



**TROLLEY**

w/Nylon Wheels

Nickel plated # 22.26.040  
Load capacity: 3 kg



**U-SPLINE PLASTIC**

# 22.26.060

Rolls of 100 mts

**SILENCER**

# 22.26.070

Plastic, clear  
Bags of 100 pcs

**END CAP ZAMAK**

Chrome plated # 22.26.050  
Alu finish # 22.26.049



# PUSH BUTTON LOCK #2010 „M“ F/DOUBLE SLIDING GLASS DOORS



## MODEL #2010

### Finish

Alu finish	# 14.09.460
Chrome plated	# 14.09.461
Gold mat plated	# 14.09.463
Gold bright plated	# 14.09.462

### Application

Double sliding glass doors  
premounted on aluminium frame

### Accessories for one set

- 1 cylinder push lock  $\varnothing 22$  mm
- 1 universal bottom part  
premounted for insertion  
into H-rail on left or right side
- 2 grub screws for fastening onto the h-rail
- 5 allen keys for every  
20 lock sets for tightening the grub  
screws
- 2 car keys, double entry

### Function

Push cylinder to lock  
and turn key to unlock

### Specification

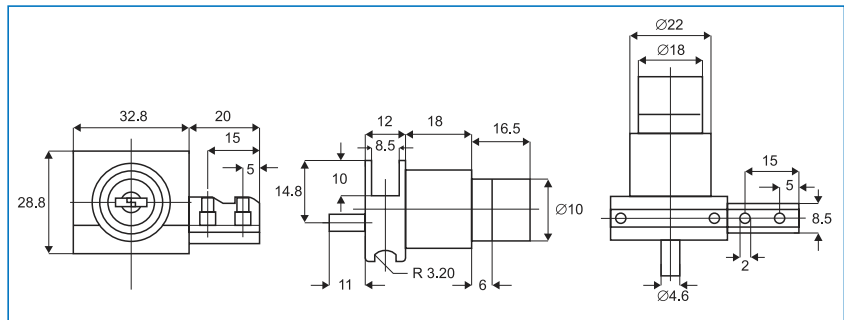
Zamak with 400 key combinations  
or key alike

### Option

Master key system

### Packing

200 pcs per export carton  
20 pcs per box



## ACCESSORIES

### U-SPLINE PLASTIC

# 22.26.060  
Rolls of 100 mts



### SILENCER

# 22.26.070  
Plastic, clear  
Bags of 100 pcs



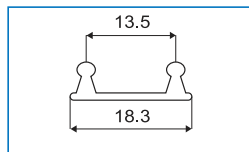
### END CAP ZAMAK

Chrome plated # 22.26.051  
Alu finish # 22.26.052



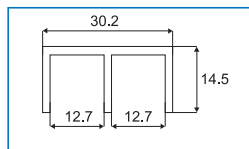
### BOTTOM TRACK

Aluminium:  
Anodized # 22.26.030  
Standard length: 2 metres



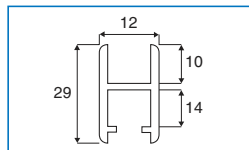
### TOP E-TRACK

Aluminium:  
Anodized # 22.26.010  
Standard length: 2 metres

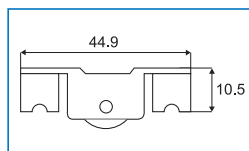


### GLASS H-RAIL

Aluminium:  
Anodized # 22.26.021  
Standard length: 2 metres  
For 5 mm glass thickness

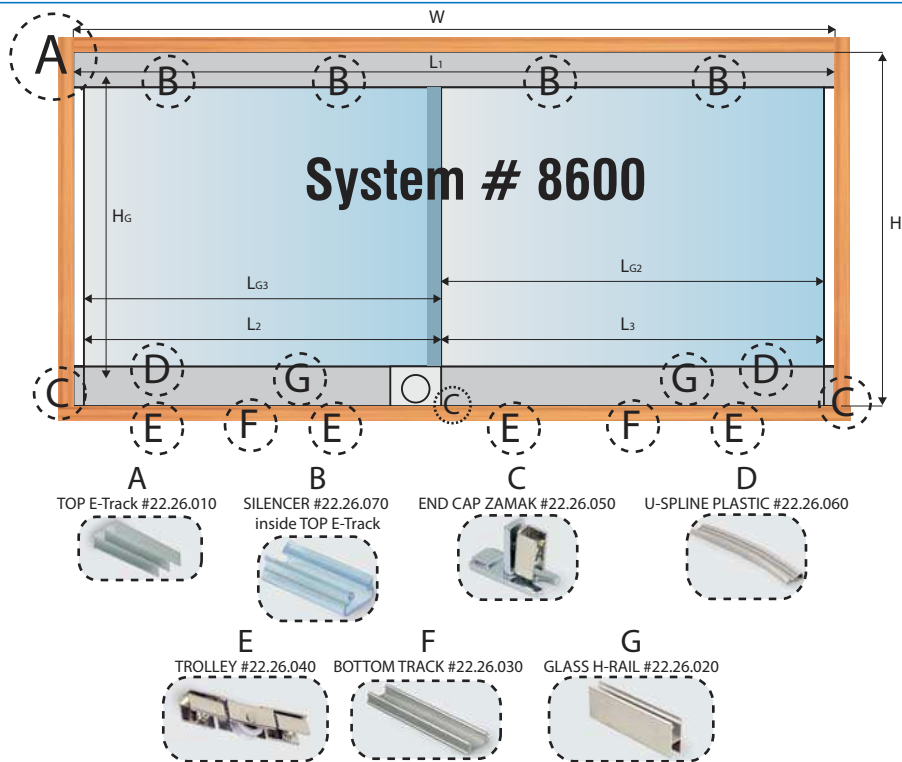


**TROLLEY** w/Nylon Wheels  
Nickel plated # 22.26.041  
Load capacity: 3 kg



# MOUNTING INSTRUCTION

## F/LOCK #8600 & #2010



**How to prepare glass doors size?**

$$L_1 = W$$

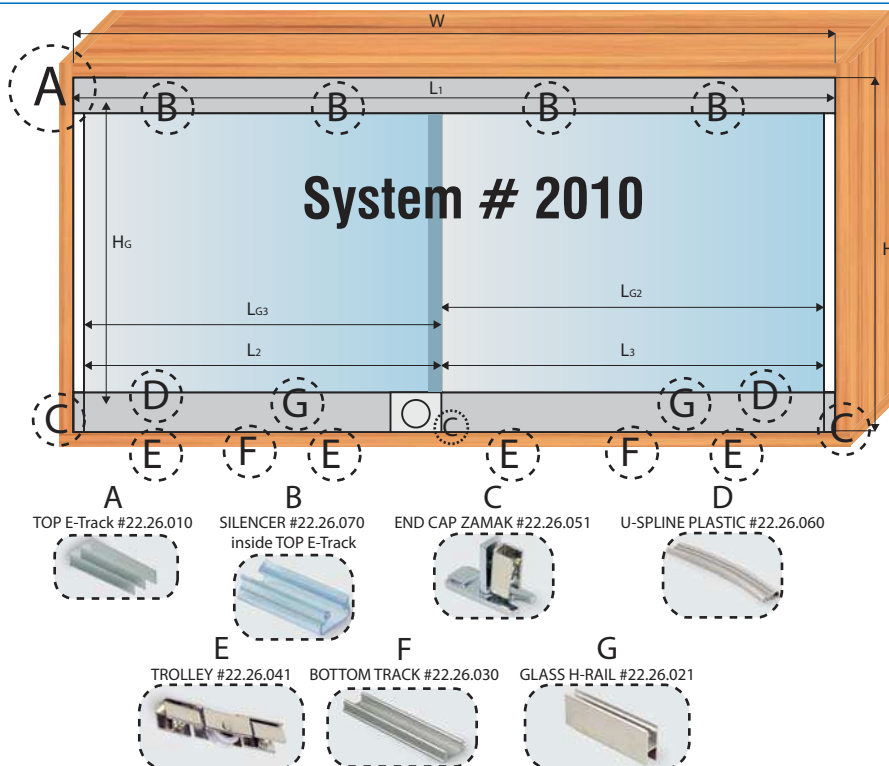
$$L_2 = \frac{1}{2}L_1 + 30 \text{ mm}$$

$$L_3 = \frac{1}{2}L_1$$

$$H_G = H - 25 \text{ mm}$$

$$L_{G2} = L_3 - 2 \text{ mm}$$

$$L_{G3} = L_2 - 1 \text{ mm}$$



**How to prepare glass doors size?**

$$L_1 = W$$

$$L_2 = \frac{1}{2}L_1$$

$$L_3 = \frac{1}{2}L_1$$

$$H_G = H - 30 \text{ mm}$$

$$L_{G2} = L_3 - 2 \text{ mm}$$

$$L_{G3} = L_2 + 32 \text{ mm}$$



# GLASS DOOR LOCK #689 „MIC“ SINGLE DOOR, HINGED

## MODEL #689

### Finish

Chrome plated	# 14.09.130
Mat nickel plated	# 14.09.131
Gold plated	# 14.09.129
Alu finish	# 14.09.132
Black anodized	# 14.09.136

### Application

Glass hinged doors 4-6 mm  
Bore: Ø 26 mm

### Accessories for one set

- 1 cylinder lock
- 5 plastic washer
- 1 zamak stopper
- 2 car keys, double entry

### Function

Turn key 180° to lock  
or unlock - w/click sound

### Specification

Zamak  
400 key combinations or key alike

### Option

Master key  
and interchangeable system

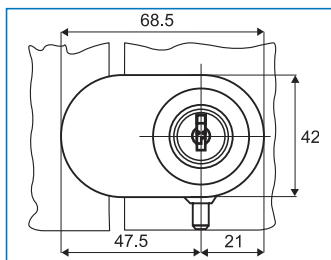
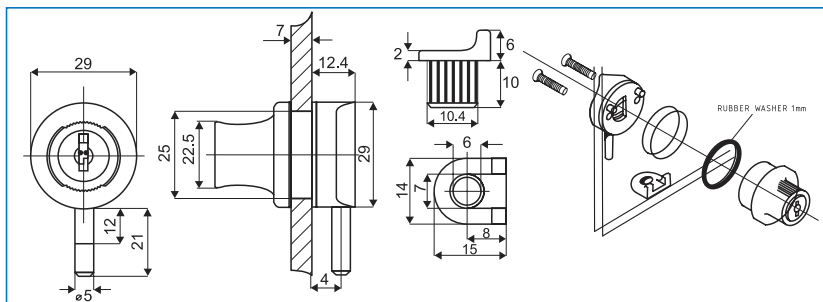
### Packing

20/200 pcs per box

### Option

Lock can be supplied with special  
designed plate for double hinged door

Chrome plated	# 14.09.170
Mat nickel plated	# 14.09.171
Alu finish	# 14.09.172
Gold plated	# 14.09.173

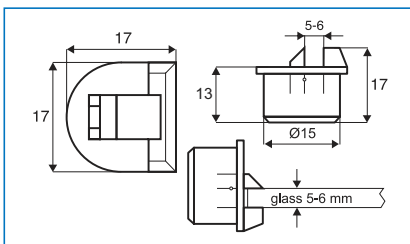


## DOOR STOPPER

### DOOR STOPPER w/catch

Finish: black plastic # 14.09.119

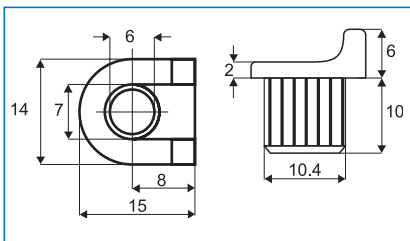
**Application:** inset glass door hinged  
Can be used as a shelf support  
Max glass thickness 6,5mm



### DOOR STOPPER w/hole

Finish: black plastic # 14.09.118

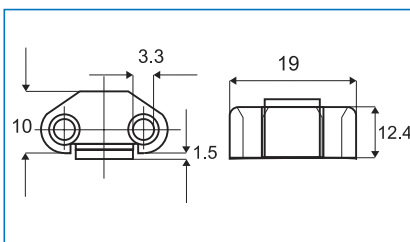
**Application:** inset glass door hinged  
Recommended to use with locks  
X-689 and 910 (as a stopper and  
striking plate)



### DOOR STOPPER w/bumper

Finish: black plastic # 14.09.105

**Application:** glass door hinged  
Recommended to use with lock 0914



# GLASS DOOR LOCK X-916 „M“ DOUBLE OR SINGLE DOORS, HINGED

## MODEL X-916

### Finish

Black anodized # 14.09.047  
 Chrome plated # 14.09.048  
 Gold plated # 14.09.049

### Application

Hinged glass doors 4-6 mm  
 Bore Ø 19 mm

### Accessories for one set

1 cam lock  
 1 straight steel cam  
 1 plastic washer + 1 hex nut  
 1 flat striking plate:  
 11 x 57 mm, npl  
 2 car keys, double entry  
 1 front plate zamak

### Function

Turn key 180° to lock  
 or unlock - w/click action

### Specification

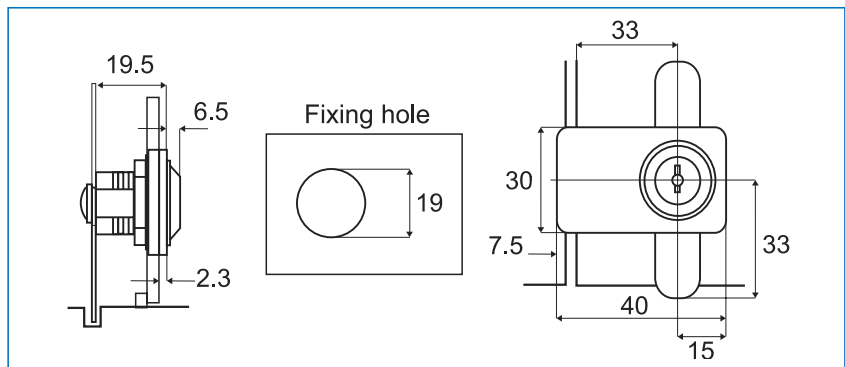
Plate & house: zamak  
 400 key combinations or key alike

### Option

Master key system

### Packing

12 pcs per box  
 240 pcs per export carton



# GLASS DOOR LOCK „SAFE“ „M“ SINGLE DOOR, HINGED

## MODEL „SAFE“

### Finish

Chrome plated # 14.09.320

### Application

Single glass door, hinged  
 Bore Ø 19 mm

### Accessories for one set

1 cam lock  
 1 hexagonal nut  
 1 plastic washer  
 1 straight cam  
 1 front plate  
 1 flat striking plate  
 2 car keys, double entry

### Function

Turn key 90°  
 to lock or unlock - w/click sound

### Specification

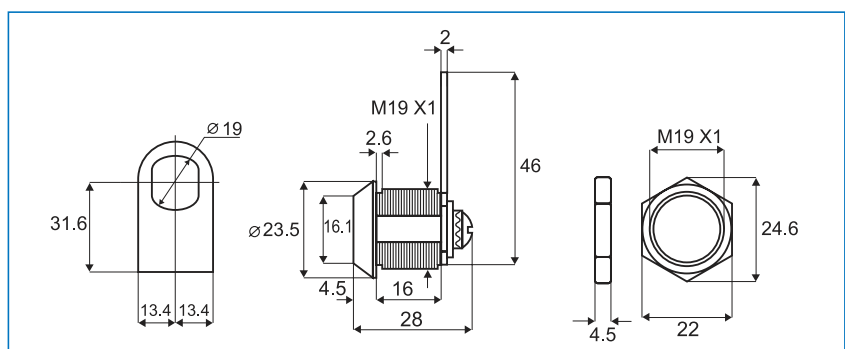
Zamak  
 400 key combinations or key alike

### Option

Master key system

### Packing

12 pcs per box  
 240 pcs per export



# GLASS DOOR LOCK „VETRO“ „MIC“ SINGLE DOOR, HINGED

## MODEL „VETRO“

### Finish

Chrome plated	# 14.09.261
Gold plated	# 14.09.260
Black anodized	# 14.09.262

### Application

Single glass door, hinged  
No boring required  
Max 8 mm glass thickness

### Accessories for one set

- 1 lock w/front plate:
- 2 fastening screws
- 1 flat striking plate
- 2 car keys double entry
- 1 plastic distance plate

### Function

Turn key 180° to lock  
and reverse to unlock

### Specification

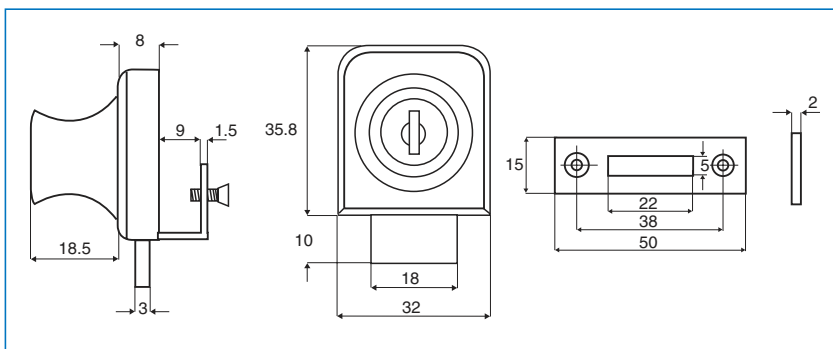
Zamak  
400 key combinations  
or key alike

### Option

Master key  
and interchangeable system

### Packing

24 pcs per box  
240 pcs per export carton



# GLASS DOOR LOCK „VETRO-DOUBLE“ „MIC“ DOUBLE DOORS, HINGED

## MODEL „VETRO-DOUBLE“

### Finish

Chrome plated	# 14.09.270
Gold plated	# 14.09.271
Black anodized	# 14.09.272

### Application

Double glass doors, hinged  
No boring required  
Max 8 mm glass thickness

### Accessories for one set

- 1 lock w/front plate
- 2 fastening screws
- 1 flat striking plate
- 2 car keys double entry
- 1 plastic distance plate

### Optionals

Door stopper	# 14.09.118
Spring stopper	# 14.09.119

### Function

Turn key 180°  
to lock and reverse to unlock

### Specification

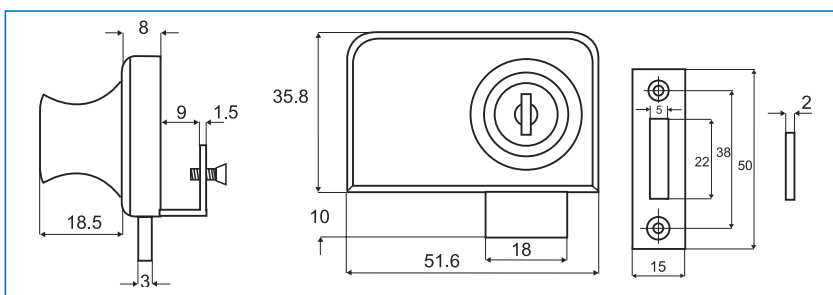
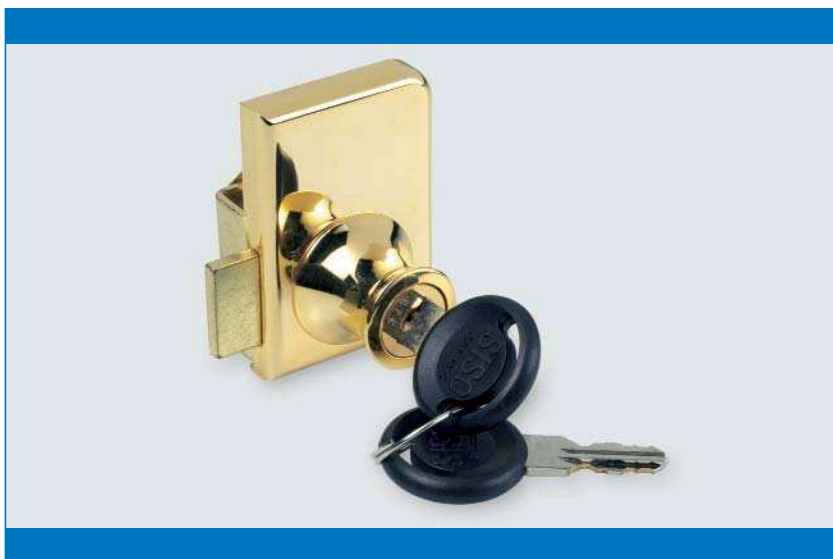
Zamak, 400 key combinations  
or key alike

### Option

Master key  
and interchangeable system

### Packing

24 pcs per box  
240 pcs per export carton



# GLASS DOOR LOCK #64081 „MIC“ SINGLE DOOR, HINGED



## MODEL #64081

### Finish

Chrome plated	# 14.09.210
Gold plated	# 14.09.211
Black anodized	# 14.09.212

### Application

Single glass door, hinged  
No boring required

### Accessories for one set

- 1 lock w/front plate:
- 2 fastening screws
- 1 flat striking plate
- 2 car keys double entry
- 1 plastic distance plate

### Function

Turn key 180° to lock  
and reverse to unlock

### Specification

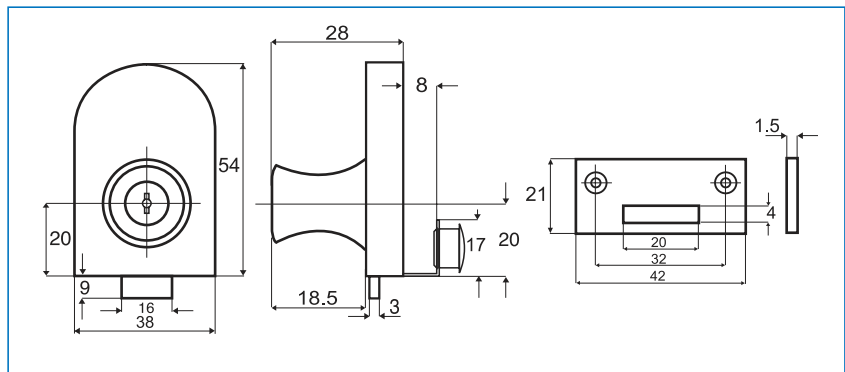
Zamak  
400 key combinations  
or key alike

### Option

Master key  
and interchangeable system

### Packing

20 pcs per box  
200 pcs per export carton



# GLASS DOOR LOCK #917 „MIC“ NO BORE - DOUBLE DOORS, HINGED

## MODEL #917

### Finish

Chrome plated	# 14.09.220
Gold plated	# 14.09.226
Alu finish	# 14.09.223

### Application

Double glass doors, hinged  
No boring required

### Accessories for one set

- 1 lock w/large front plate
- 2 fastening screws
- 1 flat striking plate
- 2 car keys double entry
- 1 plastic distance plate

### Optionals

Door stopper	# 14.09.118
Spring stopper	# 14.09.119

### Function

Turn key 180° to lock  
and reverse to unlock

### Specification

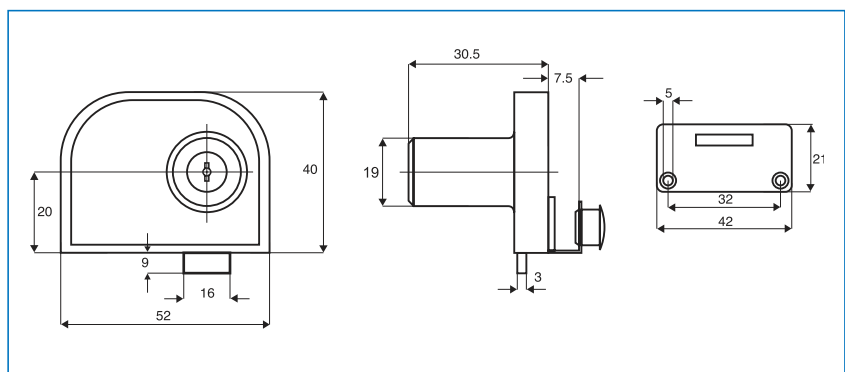
Zamak  
400 key combinations or key alike

### Option

Master key  
and interchangeable system

### Packing

12 pcs per box  
240 pcs per export box carton



# GLASS DOOR LOCK #918 „MIC“ NO BORE - SINGLE DOOR, HINGED

**MODEL No. 918**

**FINISH**

- Chrome plated # 14.09.217
- Gold plated # 14.09.218
- Alu finish # 14.09.217-1

**Application**

- Single glass doors, hinged
- No boring required

**Accessories for one set**

- 1 lock w/front plate
- 2 fastening screws
- 1 flat striking plate
- 2 car keys double entry
- 1 plastic distance plate

**Optionals**

- Door stopper # 14.09.118
- Spring stopper # 14.09.119

**Function**

- Turn key 180°
- to lock and reverse to unlock

**Specification**

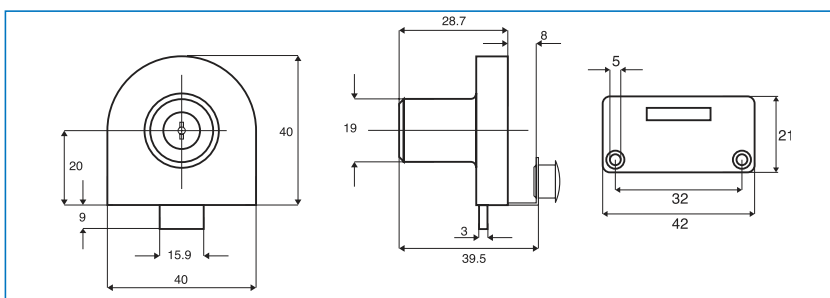
- Zamak
- 400 key combinations or key alike

**Option**

- Master key
- and interchangeable system

**Packing**

- 12 pcs per box
- 240 pcs per export carton



## STRIKER (FOR LOCK X-918) FOR DOUBLE HINGED DOORS

**MODEL „STRIKER“**

**Finish**

- Chrome plated # 14.09.246
- Alu finish # 14.09.247
- Gold plated # 14.09.248

**Application**

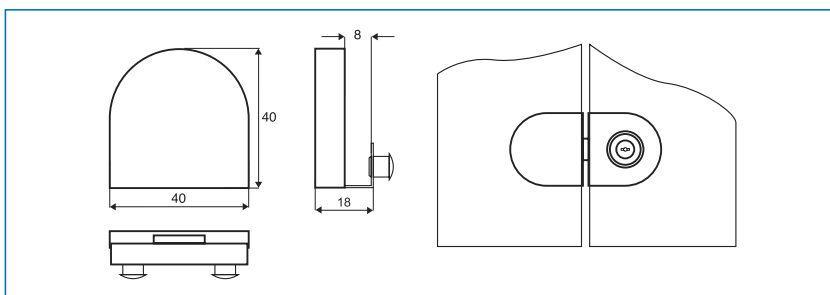
- Single glass door, hinged
- No boring required

**Accessories for one set**

- 1 lock w/front plate:
- 2 fastening screws
- 1 flat striking plate
- 1 plastic distance plate

**Packing**

- 24 pcs per box
- 240 pcs per export carton



# SHELF SUPPORTS FOR GLASS

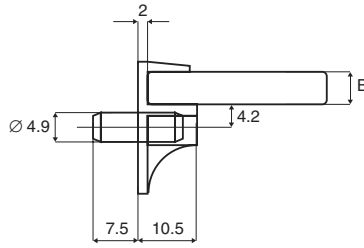
## GLASS SHELF SUPPORT

- with retainer

Material: Steel pin  $\varnothing$  5 mm, bright zinc plated and transparent plastic support with retainer

Suitable for GLASS THICKNESS  
B = 4,5 + 5,5 + 6,0 + 8,0 mm

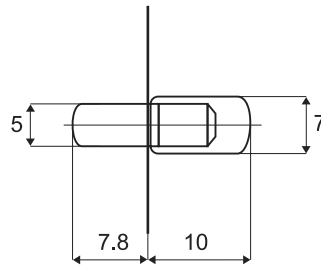
5,5 mm # 22.02.080



## GLASS SHELF SUPPORT „CRISTAL“

Material: Steel pin  $\varnothing$  5 mm, mantled with transparent plastic to 7 mm diam.

Bright zinc plated # 22.02.037  
Brass plated # 22.02.038



## GLASS SHELF SUPPORT

with slide lock No. 1630

- moulded in sets (left + right)

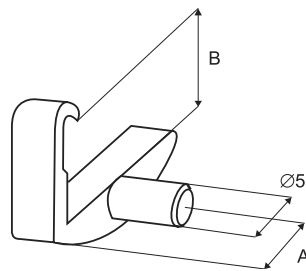
Material: transparent plastic # 22.02.082

Pin:  $\varnothing$  5 mm

Bore hole: 9,5 mm from edge

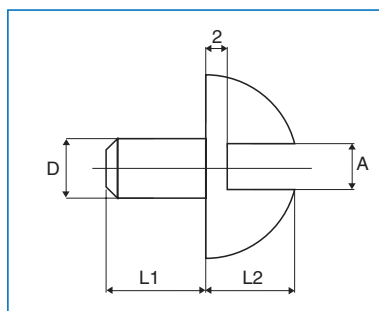
Glass: 5 mm

Packing: 3500 pcs



## GLASS SHELF SUPPORT - FORK TYPE

D	L1	L2	A
5	8	7	4,0
5	8	7	4,5
5	8	7	5,5
7	8	7	4,5
7	8	7	5,5
8	8	7	4,5
8	8	7	5,5
8	8	13	5,5
8	8	9	4,5



## SHELF SUPPORT - w/ flexible Retainer for GLASS SHELVES (min 5mm)

Material: Plastic

PIN: 5 mm

Colours

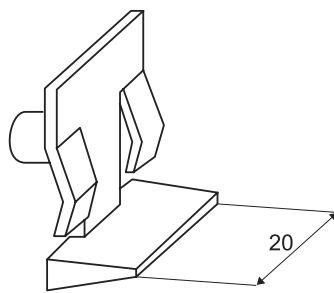
White # 22.02.066

Black # 22.02.067

Brown

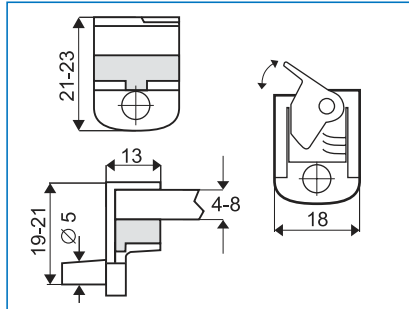
Transparent

For glass minimum 5mm



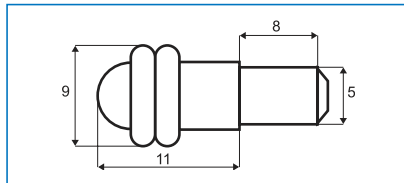
**SHELF SUPPORT „ALFA“ - w/ catch for glass 4-8 mm**  
with eccentric Pin  $\varnothing$  5 mm  
Zamak  
Nickel plated # 22.02.245

**Options**  
Without pin but with hole  $\varnothing$  5 mm for screw



**SHELF SUPPORT w/2 rubber O-rings**

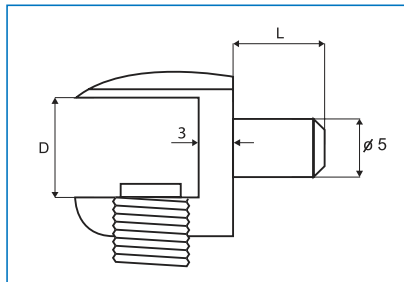
**Material**  
Steel, NPL # 22.02.200  
**Packing**  
5000 pcs



**SHELF SUPPORT w/soft plastic screw**

**Material**  
Zamak, nickel plated  
**Sizes:** D  $\varnothing$  L  
9 mm 5 mm 8 mm # 22.02.231  
5 mm 5 mm 8 mm # 22.02.230

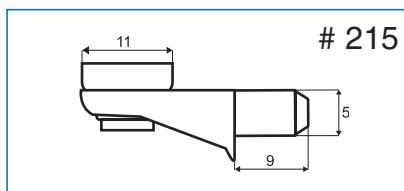
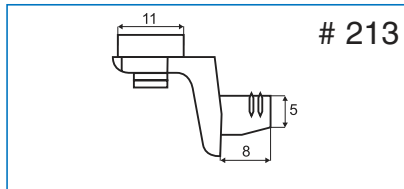
**Packing**  
1000 pcs



**SHELF SUPPORT W/SUCTION PAD**

**Material**  
Zamak, nickel plated  
NO.213 # 22.02.240  
NO.215 # 22.02.241

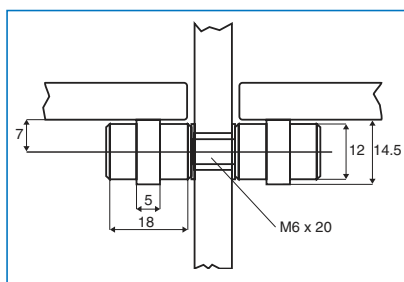
**Packing:** 2500 pcs



**SHELF SUPPORT - Double**

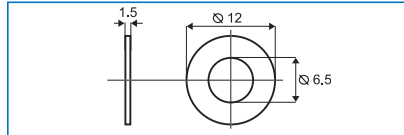
M6 mounting screw for 6-8 mm glass thickness  
**Material:** Brass, NPL # 22.02.116

**Size:** 2 pcs each  $\varnothing$  12 x 18 mm  
**Packing:** 100 pcs per box  
700 pcs per export carton

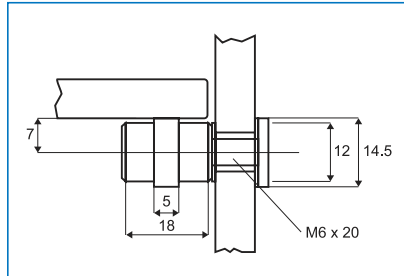


# SHELF SUPPORTS FOR GLASS

**RUBBER WASHER for shelf support**  
 # 22.02.115 & # 22.02.116  
 Transparent # 22.02.114



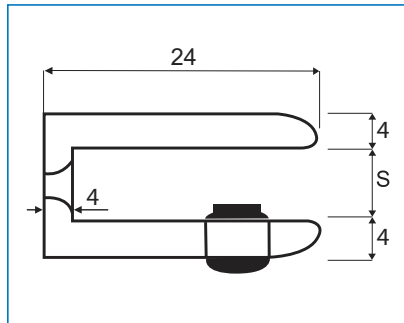
**SHELF SUPPORT - Single**  
 M6 mounting screw for 6-8 mm glass thickness  
**Material:** Brass, NPL # 22.02.115  
**Size:** Ø 12 x 18 mm  
 Packing: 150 pcs per box  
 1200 pcs per export carton



**SHELF SUPPORT - Cylindrical**  
 Mounting with wood screw ø 4,5 mm  
**Material:** Zamak  
**Sizes**

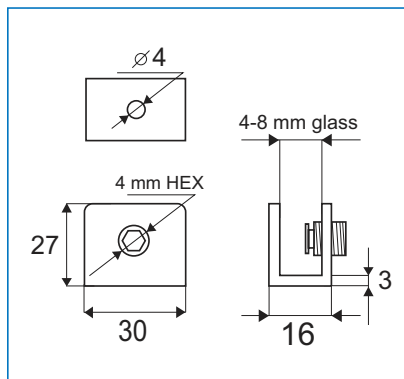
	Ø	S	
CPL	ø17 mm	4 - 6 mm	# 22.02.220
ALU	ø17 mm	4 - 6 mm	# 22.02.221
CPL	ø20 mm	8 - 10 mm	# 22.02.210
ALU	ø20 mm	8 - 10 mm	# 22.02.213

**Packing**  
 100 pcs



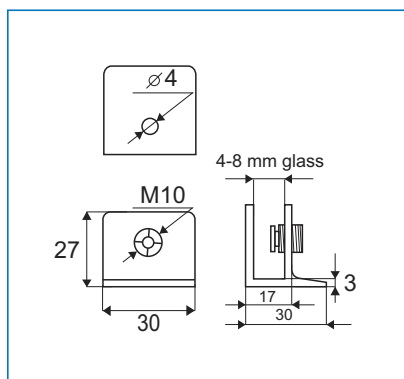
**GLASS SHELF SUPPORT „SQUARE“**  
 w/ø4 mm screw hole, CSK

**Material:** Zamak  
**Size: (W/H/D)** 30 x 27 x 16 mm  
**Glass thickness:** 4 - 8 mm  
 Chrome plated # 22.02.560  
 Alu finish # 22.02.561  
 SS-look # 22.02.563



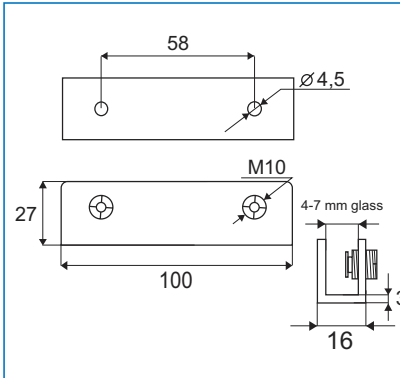
**GLASS SHELF SUPPORT „SQUARE“**  
 "X-STRONG"

**Material:** Zamak  
**Size: (W/H/D)** 30 x 30 x 27 mm  
**Glass thickness:** 4 - 8 mm  
**Mounting:** Ø 4 mm CSK hole  
 Chrome plated # 22.02.610  
 Alu finish # 22.02.611



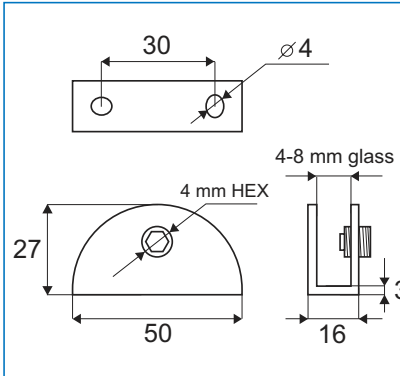
## GLASS SHELF SUPPORT „SQUARE XL“

**Material:** Zamak  
**Size: (W/H/D)** 100 x 16 x 27 mm  
**Glass thickness:** 4 - 8 mm  
**Mounting:** Ø 4 mm CSK hole  
 Chrome plated # 22.02.565  
 Alu finish # 22.02.566



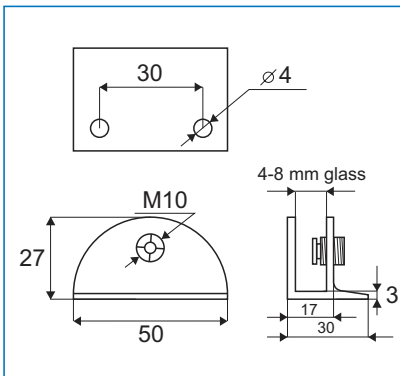
## GLASS SHELF SUPPORT „HALF MOON“ w/Ø4 mm screw hole, CSK

**Material:** Zamak  
**Size: (W/H/D)** 50 x 16 x 27 mm  
**Glass thickness:** 4 - 8 mm  
 Chrome plated # 22.02.570  
 Alu finish # 22.02.571  
 SS-look # 22.02.573



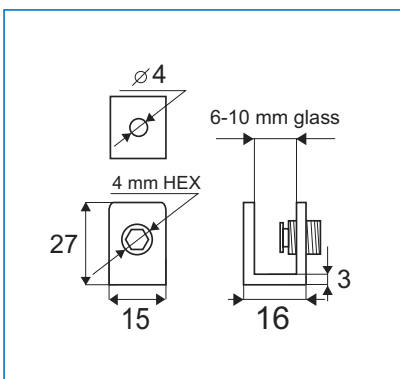
## GLASS SHELF SUPPORT „HALF-MOON“ "X-STRONG"

**Material:** Zamak  
**Size: (W/H/D)** 50 x 30 x 27 mm  
**Glass thickness:** 4 - 8 mm  
**Mounting:** Ø 4 mm CSK hole  
 Chrome plated # 22.02.620  
 Alu finish # 22.02.621



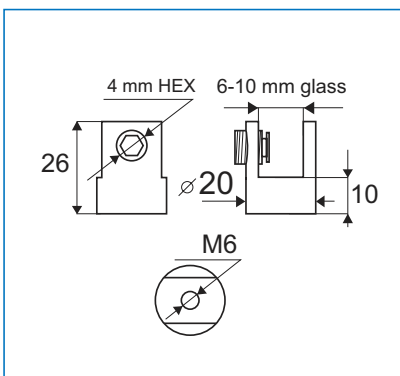
## GLASS SHELF SUPPORT „MUS“ w/Ø4 mm screw hole, CSK

**Material:** Zamak  
**Size: (W/H/D)** 15 x 16 x 27 mm  
**Glass thickness:** 6 - 10 mm  
 Chrome plated # 22.02.600  
 Alu finish # 22.02.601  
 SS-look # 22.02.603



## GLASS SHELF SUPPORT „CYLINDRICAL“ w/M6 mm screw hole

**Material:** Zamak  
**Size:** Ø 20 x 26 mm  
**Glass thickness:** 6 - 10 mm  
 Chrome plated # 22.02.226  
 Alu finish # 22.02.227  
 SS-look # 22.02.228

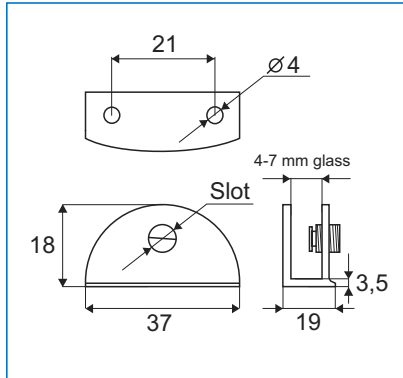


# SHELF SUPPORTS FOR GLASS

## GLASS SHELF SUPPORT „DOME“ SMALL w/ø4 mm screw hole, CSK

Material: Zamak, Chrome plated  
 Size: (W/H/D) 37 x 19 x 18 mm  
 Glass thickness: 4 - 7 mm  
 Item No. # 22.02.575

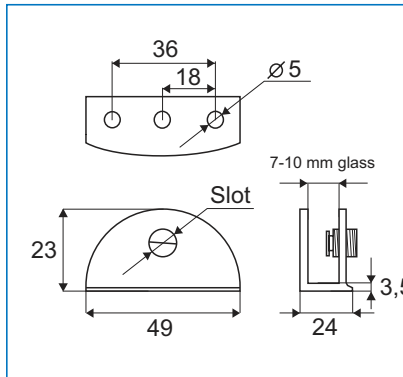
Inclusive screws and wall plugs



## GLASS SHELF SUPPORT „DOME“ LARGE w/ø5 mm screw holes, CSK

Material: Zamak  
 Size: (W/H/D) 49 x 24 x 23 mm  
 Glass thickness: 7 - 10 mm  
 Chrome plated # 22.02.580  
 Alu finish # 22.02.581

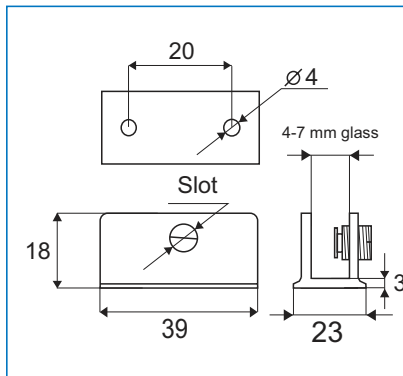
Inclusive screws and wall plugs



## GLASS SHELF SUPPORT „RECTA“ SMALL w/ø4 mm screw holes, CSK

Material: Zamak, Chrome plated  
 Size: (W/H/D) 39 x 23 x 18 mm  
 Glass thickness: 4 - 7 mm  
 Item No. # 22.02.590

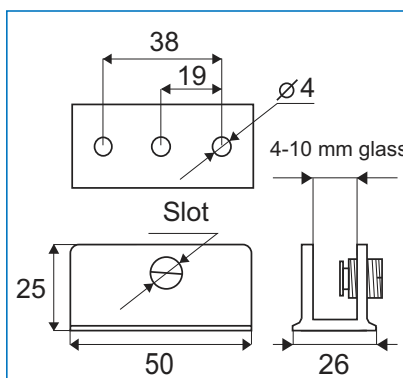
Inclusive screws and wall plugs



## GLASS SHELF SUPPORT „RECTA“ LARGE w/ø5 mm screw holes, CSK

Material: Zamak, Chrome plated  
 Size: (W/H/D) 50 x 26 x 25 mm  
 Glass thickness: 4 - 10 mm  
 Item No. # 22.02.595

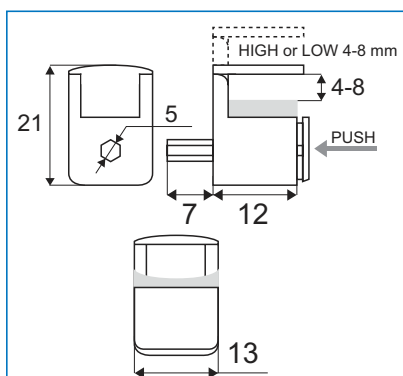
Inclusive screws and wall plugs



## GLASS SHELF SUPPORT „PARROT“ w/clip fixing to secure the glass

Material: Zamak, Nickel plated  
 Pin: ø 5 mm  
 Glass thickness: 4 - 8 mm  
 Item No. # 22.02.456

Packing: 1000 pcs per export carton



**SHELF THICKNESS 4-40 MM**

**NO.53**

**Finish**

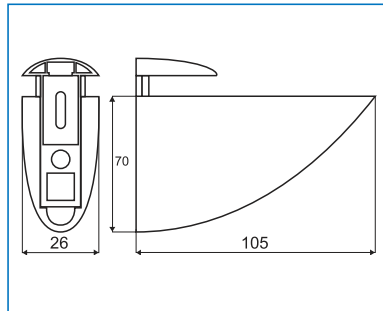
Alu finish # 22.02.550

Mat nickel # 22.02.551

Polished chrome # 22.02.552

Max load 40 kg

80 pcs per box



**SHELF THICKNESS 4-26 MM**

**NO.52**

**Finish**

Alu finish # 22.02.545

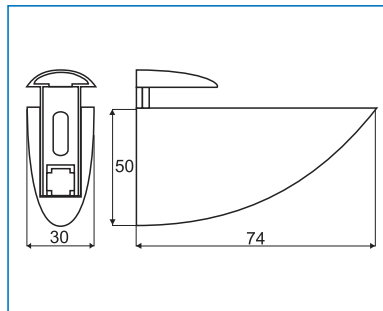
Mat nickel # 22.02.546

Polished chrome # 22.02.547

SS-look # 22.02.548

Max load 30 kg

100 pcs per box



**SHELF THICKNESS 4-10 MM**

**NO. 45**

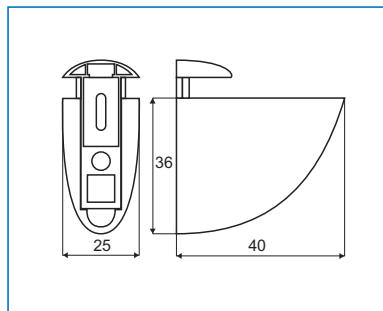
**Finish**

Polished chrome # 22.02.495

SS-look # 22.02.496

Max load 20 kg

500 pcs per box



**SHELF THICKNESS 4-26 MM**

**NO.51**

**Finish**

Mat chrome coated # 22.02.540

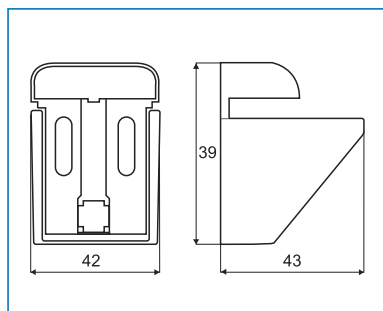
Mat nickel coated # 22.02.541

Polished chrome # 22.02.542

SS-look # 22.02.543

Max load 30 kg

30 pcs per box



**SHELF THICKNESS 4-24 MM**

**NO.48**

**Finish**

Mat chrome coated # 22.02.520

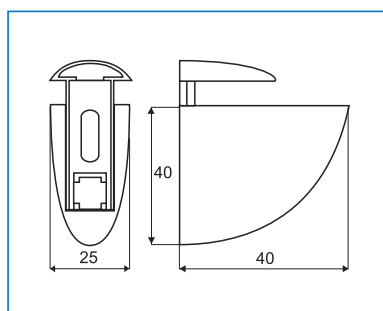
Mat nickel coated # 22.02.521

Polished chrome # 22.02.522

SS-look # 22.02.523

Max load 20 kg

50 pcs per box



# ADJUSTABLE SHELF SUPPORT „PELICANS“

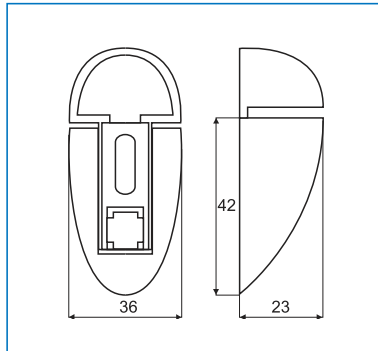
## SHELF THICKNESS 4-26 MM

**NO.46**

**Finish**

Mat chrome coated # 22.02.500  
 Mat nickel coated # 22.02.501  
 Polished chrome # 22.02.502

Max load 20 kg  
 50 pcs per box



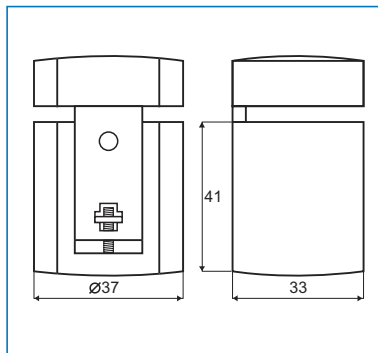
## SHELF THICKNESS 4-24 MM

**NO. 43**

**Finish**

Black coated # 22.02.470  
 Alu finish # 22.02.471  
 Polished chrome # 22.02.472  
 SS-look # 22.02.473  
 Matt nickel # 22.02.474

Max load 20 kg  
 200 pcs per box



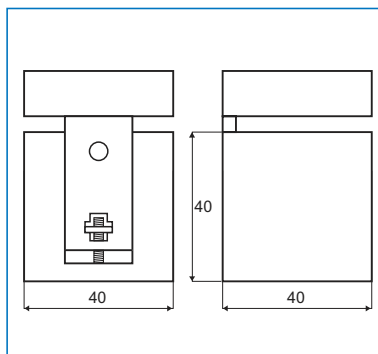
## SHELF THICKNESS 4-24 MM

**NO. 44**

**Finish**

Black coated # 22.02.475  
 Alu finish # 22.02.476  
 Polished chrome # 22.02.477  
 SS-look # 22.02.478  
 Matt nickel # 22.02.479

Max load 20 kg  
 200 pcs per box



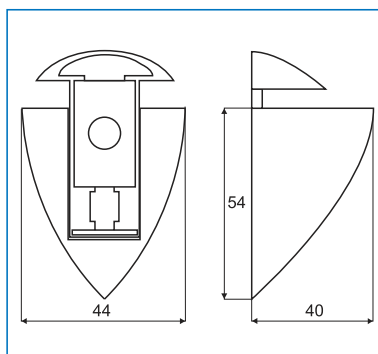
## SHELF THICKNESS 4-26 MM

**NO.47**

**Finish**

Mat chrome coated # 22.02.510  
 Mat nickel coated # 22.02.511  
 Polished chrome # 22.02.512  
 SS-look # 22.02.513

Max load 20 kg  
 30 pcs per box



# ZAMAK GLASS CLAMP NO. 31 F/WALL MOUNTING

**Application**

Balconies, balustrade, shelves etc.

**Material**

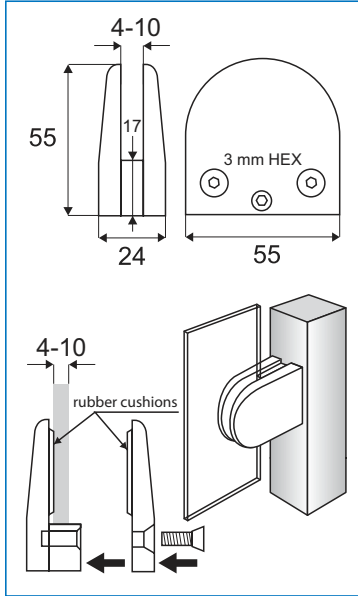
Zamak

**Model „Large“ w/round rubber rings f/glass thickness 4-10 mm**

- Chrome plated # 22.10.150
- Gold plated # 22.10.151
- Matt nickel plated # 22.10.152

**Packing**

100 pcs per carton



**Application**

Balconies, balustrade, shelves etc.

**Material**

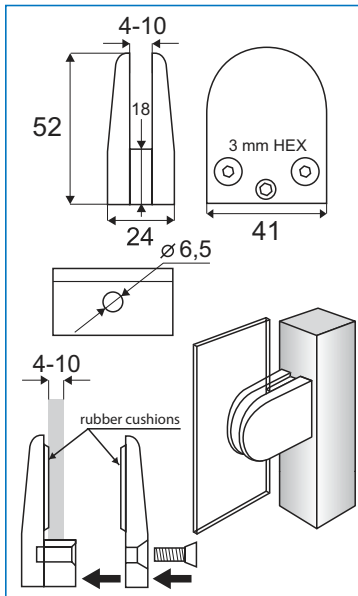
Zamak

**Model „Medium“ w/flat rubber cushions f/glass thickness 4-10 mm**

- Chrome plated # 22.10.160
- Gold plated # 22.10.1XX
- Matt nickel plated # 22.10.161

**Packing**

100 pcs per carton



**Application**

Balconies, balustrade, shelves etc.

**Material**

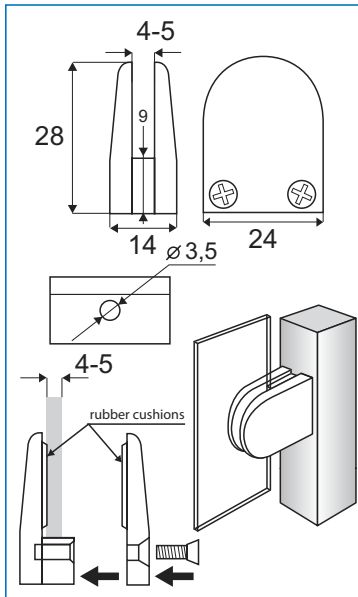
Zamak

**Model „Small“ w/flat rubber cushions f/glass thickness 4-5 mm**

- Chrome plated # 22.10.165
- Gold plated # 22.10.1XX
- Matt nickel plated # 22.10.166

**Packing**

500 pcs per carton



# ZAMAK GLASS CLAMP NO. 31 F/TUBE MOUNTING

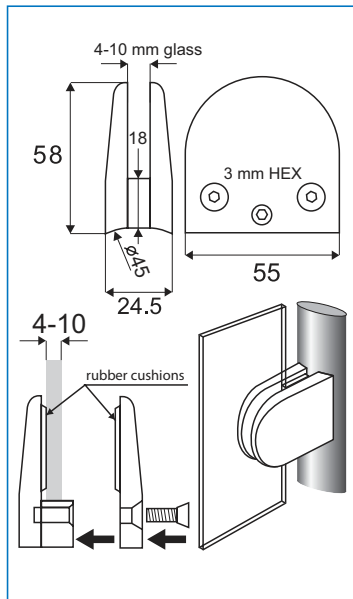
**Application**  
Balconies, balustrade, staircases etc.

**Material**  
Zamak

**ø45 mm tube „L“ w/round rubber rings f/glass thickness 4-10 mm**

Chrome plated # 22.10.170  
Matt nickel plated # 22.10.171  
Gold plated # 22.10.XXX

**Packing**  
100 pcs per carton



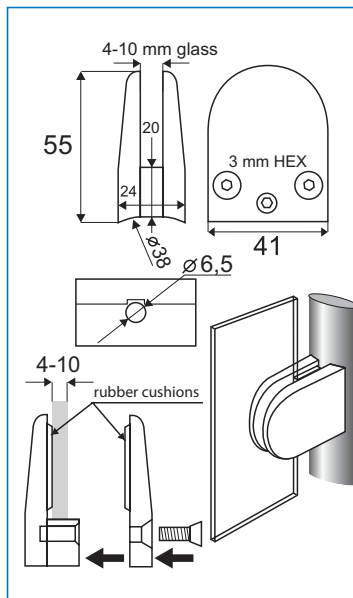
**Application**  
Balconies, balustrade, staircases etc.

**Material**  
Zamak

**ø38 mm tube „M“ w/flat rubber cushions f/glass thickness 4-10 mm**

Chrome plated # 22.10.175  
Matt nickel plated # 22.10.176  
Gold plated # 22.10.XXX

**Packing**  
100 pcs per carton



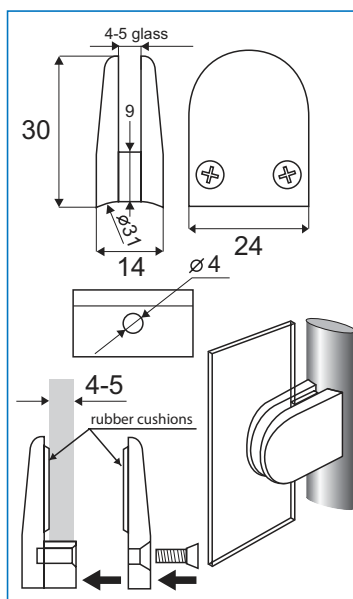
**Application**  
Balconies, balustrade, staircases etc.

**Material**  
Zamak

**ø31 mm tube „S“ w/flat rubber cushions f/glass thickness 4-5 mm**

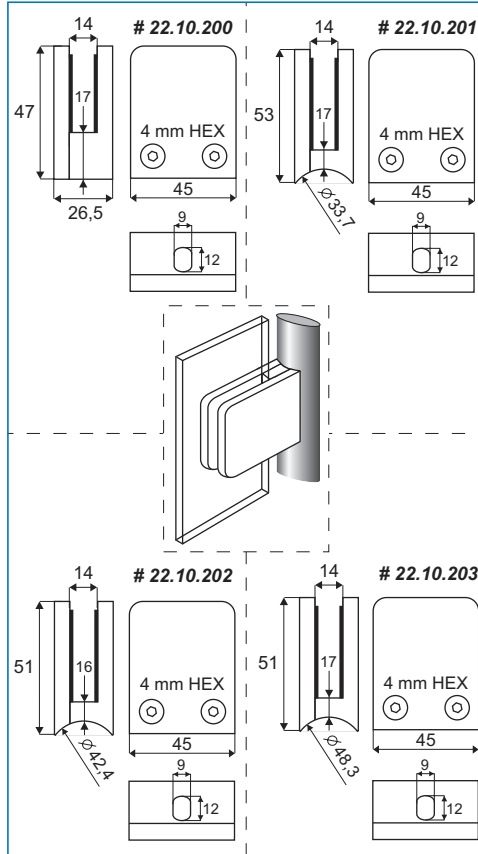
Chrome plated # 22.10.180  
Matt nickel plated # 22.10.181  
Gold plated # 22.10.XXX

**Packing**  
500 pcs per carton



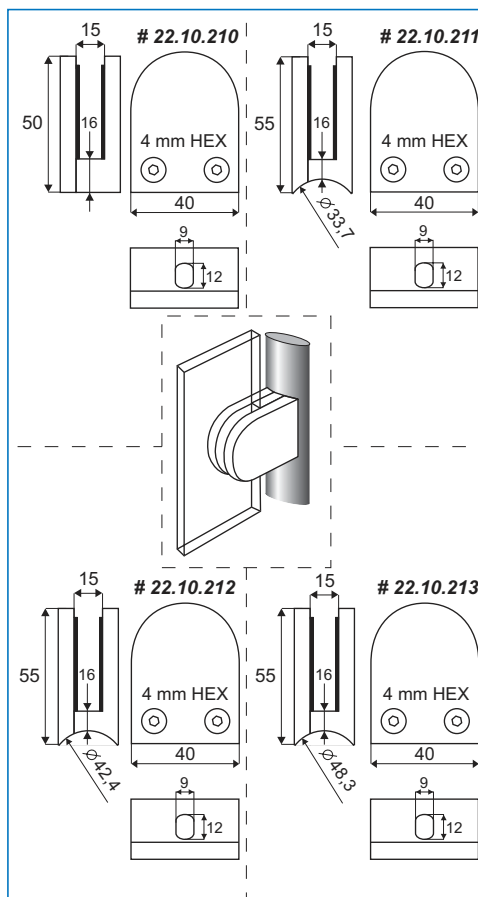
# STAINLESS STEEL & ZAMAK GLASS CLAMPS „SQUARE“

**Material:** Brushed stainless steel 304 & 316 or zamak, raw  
**Glass thickness:** 6 - 10,76 mm  
**Size:** 45 x 47 x 26,5 mm  
**Model „Flat“ without cushions**  
 SS-316 Brushed # 22.10.200-0  
 SS-304 Brushed # 22.10.200-9  
 Zamak Raw # 22.10.200-8  
**Model „Tube ø33,7 mm“ without cushions**  
 SS-316 Brushed # 22.10.201-0  
 SS-304 Brushed # 22.10.201-9  
 Zamak Raw # 22.10.201-8  
**Model „Tube ø42,4 mm“ without cushions**  
 SS-316 Brushed # 22.10.202-0  
 SS-304 Brushed # 22.10.202-9  
 Zamak Raw # 22.10.202-8  
**Model „Tube ø48,3 mm“ without cushions**  
 SS-316 Brushed # 22.10.203-0  
 SS-304 Brushed # 22.10.203-9  
 Zamak Raw # 22.10.203-8  
**EPDM-cushions to regulate glass thickness to be bought separately**



# STAINLESS STEEL & ZAMAK GLASS CLAMPS „OVAL-S“

**Material:** Brushed/polished stainless steel 304 & 316 or zamak, raw  
**Glass thickness:** 6 - 10,76 mm  
**Size:** 45 x 50 x 26,5 mm  
**Model „Flat“ without cushions**  
 SS-316 Brushed # 22.10.210-0  
 SS-316 Polished # 22.10.260-0  
 SS-304 Brushed # 22.10.210-9  
 Zamak Raw # 22.10.210-8  
**Model „Tube ø33,7 mm“ without cushions**  
 SS-316 Brushed # 22.10.211-0  
 SS-304 Brushed # 22.10.211-9  
 Zamak Raw # 22.10.211-8  
**Model „Tube ø42,4 mm“ without cushions**  
 SS-316 Brushed # 22.10.212-0  
 SS-316 Polished # 22.10.262-0  
 SS-304 Brushed # 22.10.212-9  
 Zamak Raw # 22.10.212-8  
**Model „Tube ø48,3 mm“ without cushions**  
 SS-316 Brushed # 22.10.213-0  
 SS-304 Brushed # 22.10.213-9  
 Zamak Raw # 22.10.213-8  
**Safety pin white plastic (optional)**  
 ø5,5 x 18 mm # 22.10.240  
**EPDM-cushions to regulate glass thickness to be bought separately**



# STAINLESS STEEL & ZAMAK GLASS CLAMPS „OVAL-L“

**Material:** Brushed stainless steel 304 & 316 or zamak, raw

**Glass thickness:** 6 - 10,76 mm

**Size:** 45 x 64 x 26,5 mm

**Model „Flat“ without cushions**

SS-316 Brushed # 22.10.220-0

SS-304 Brushed # 22.10.220-9

Zamak Raw # 22.10.220-8

**Model „Tube ø33,7 mm“ without cushions**

SS-316 Brushed # 22.10.221-0

SS-304 Brushed # 22.10.221-9

Zamak Raw # 22.10.221-8

**Model „Tube ø42,4 mm“ without cushions**

SS-316 Brushed # 22.10.222-0

SS-304 Brushed # 22.10.222-9

Zamak Raw # 22.10.222-8

**Model „Tube ø48,3 mm“ without cushions**

SS-316 Brushed # 22.10.223-0

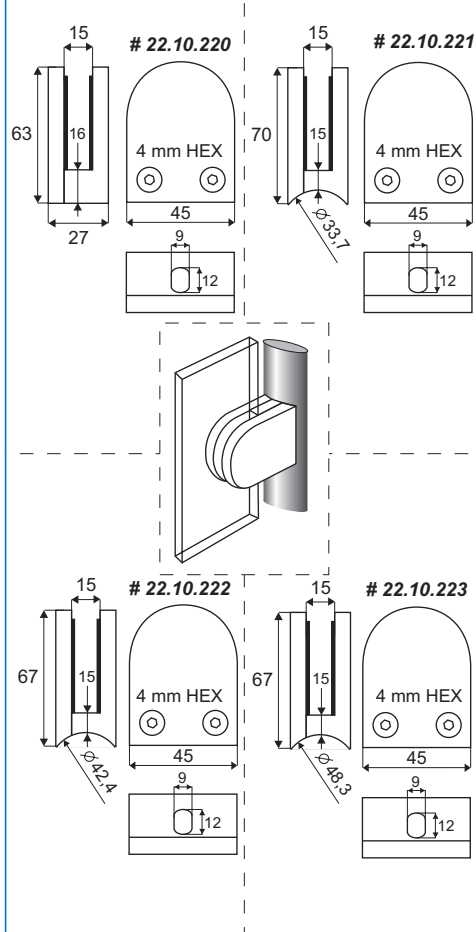
SS-304 Brushed # 22.10.223-9

Zamak Raw # 22.10.223-8

**Safety pin white plastic (optional)**

ø5,5 x 18 mm # 22.10.240

**EPDM-cushions to regulate glass thickness to be bought seperately**



## EPDM CUSHIONS FOR STAINLESS STEEL & ZAMAK GLASS CLAMPS

MODEL „SQUARE“	Glass thickness	Glass Type	Cushion mm	Items numbers		
	6	mono	4 + 5	22.10.207	+	22.10.208
	6,76	Lam.	4 + 4	22.10.207	+	22.10.207
	8	mono	3 + 4	22.10.206	+	22.10.207
	8,76	Lam.	3 + 3	22.10.206	+	22.10.206
	10	mono	2 + 3	22.10.205	+	22.10.206
	10,76	Lam.	2 + 2	22.10.205	+	22.10.205



„SQUARE“

MODEL „OVAL-S“	Glass thickness	Glass Type	Cushion mm	Items numbers		
	6	mono	5 + 5	22.10.217	+	22.10.217
	6,76	Lam.	4 + 5	22.10.216	+	22.10.217
	8	mono	4 + 4	22.10.216	+	22.10.216
	8,76	Lam.	3 + 4	22.10.215	+	22.10.216
	10	mono	3 + 3	22.10.215	+	22.10.215
	10,76	Lam.	2 + 3	22.10.214	+	22.10.215



„OVAL - S“

MODEL „OVAL-L“	Glass thickness	Glass Type	Cushion mm	Items numbers		
	6	mono	5 + 5	22.10.227	+	22.10.227
	6,76	Lam.	4 + 5	22.10.226	+	22.10.227
	8	mono	4 + 4	22.10.226	+	22.10.226
	8,76	Lam.	3 + 4	22.10.225	+	22.10.226
	10	mono	3 + 3	22.10.225	+	22.10.225
	10,76	Lam.	2 + 3	22.10.224	+	22.10.225



„OVAL - L“

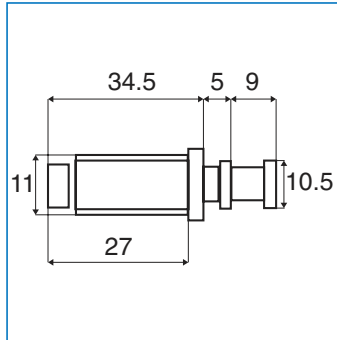
## MAGNETIC TOUCH LATCH

Knock in type  
- No striker included

Finish: Black Plastic # 22.01.095  
Bore: Ø 11 x 38 mm

### Packing

350 pcs per box  
2800 pcs per export carton



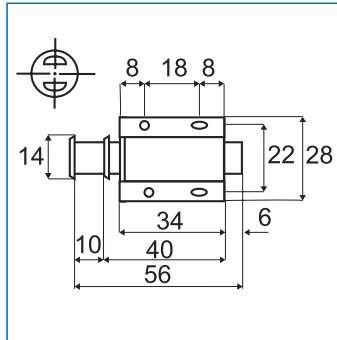
## MAGNETIC TOUCH LATCH

- SINGLE  
Screw on - No striker included  
- round type

Finish: black plastic # 22.01.070  
Fixation: c.c. 22 mm

### Packing

250 pcs per box  
1000 pcs per export carton



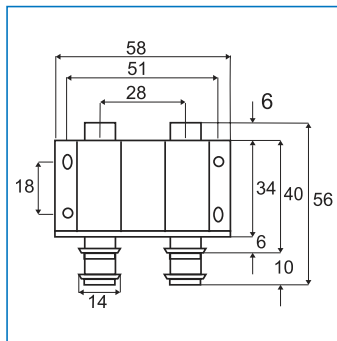
## MAGNETIC TOUCH LATCH

- DOUBLE  
Screw on - no striker included  
- round type

Finish: black plastic # 22.01.088  
Fixation: c.c. 18 mm/51 mm

### Packing

500 pcs per box



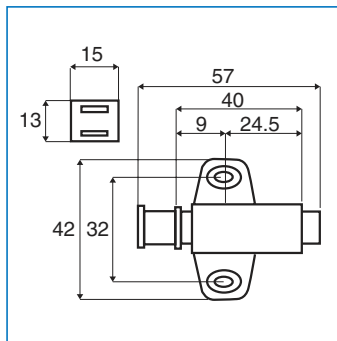
## MAGNETIC TOUCH LATCH

- SINGLE  
Screw on - no striker included  
- square type

Finish: black plastic # 22.01.075  
Fixation: c.c. 32 mm

### Packing

250 pcs per box  
1000 pcs per export carton



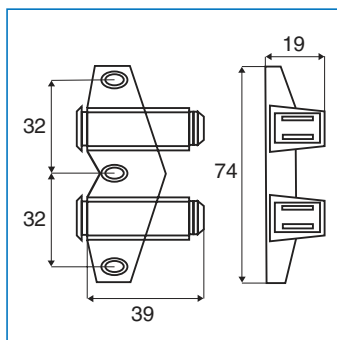
## MAGNETIC TOUCH LATCH

- DOUBLE  
Screw on - no striker included  
- square type

Finish: black plastic # 22.01.087  
Fixation: c.c. 32 mm/64 mm

### Packing

125 pcs per box  
500 pcs per export carton



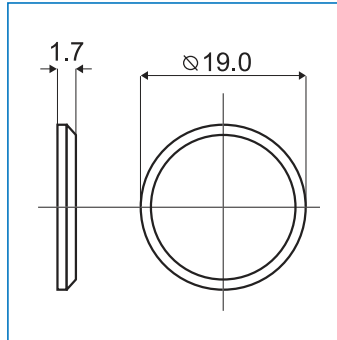
# STRIKING PLATES

## ROUND STRIKER - SELF ADHESIVE

For Rigid Fixation  
- Stick On Type

Material: Steel  
Nickel plated  
Diameter: Ø 19 mm

# 22.01.118



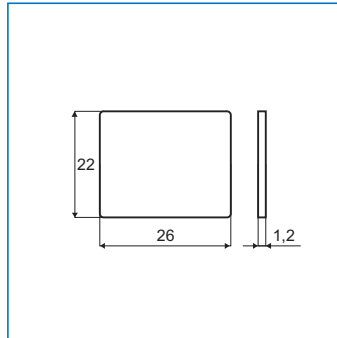
## SQUARE STRIKER - SELF ADHESIVE

For Rigid Fixation  
- Stick On Type

Material: Steel  
Nickel plated

# 22.01.127

Size: 26 x 22 mm



## CATCH PLATE - GLASS

with Handle & Pad  
Size: 23 x 40 mm

Material: Steel  
Chrome plate  
Black anodized  
Brass plated

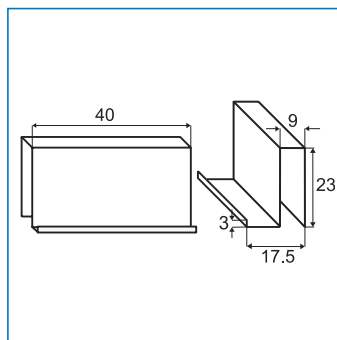
# 22.03.015

# 22.03.016

# 22.03.017

### Packing

200 pcs per box  
1000 pcs per export carton



## CATCH PLATE - GLASS

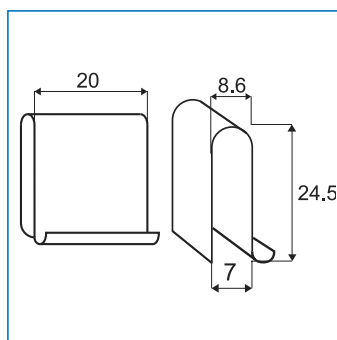
With Handle  
Model: #558  
Size: 20 x 20 mm

Material: Steel  
Black anodized

# 22.03.018

### Packing

200 pcs per box  
2000 pcs per export carton



## CATCH PLATE - GLASS

With Pad  
Size: 40 x 25 mm

Material: Steel  
Brass plated  
Black anodized  
Chrome plated

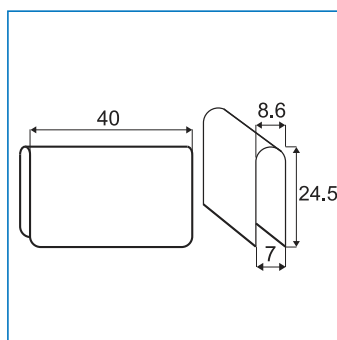
# 22.03.100

# 22.03.111

# 22.03.115

### Packing

200 pcs per box  
1000 pcs per export carton



# GLASS DOOR HINGES „MINI“ WITH FRONT COVER

## AUTOMATIC GLASS DOOR HINGE WITH DOUBLE SPRING ACTION

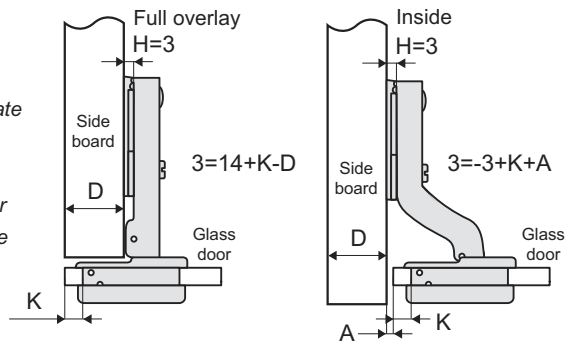
Opening angle: 92°  
Glass door drilling:  
26 mm for glass thickness 4 to 6 mm  
Supplied complete with wing mounting plate.  
Steel nickel pl. 3 mm distance  
for chipboard screw attachment  
housing: plastic black  
Hingearm keyhole type,  
steel nickel pl.

**TYPE A = FULL OVERLAY DOORS**  
0 mm cranking # 15.01.700

**TYPE C = INSET DOORS**  
17 mm cranking # 15.01.710



Application case  
of glass hinge Ø26 mm  
*H* - height of mounting plate  
*D* - panel thickness  
*K* - drilling distance from  
the edge of glass door  
to the edge of the hole  
*A* - gap between door  
and side board

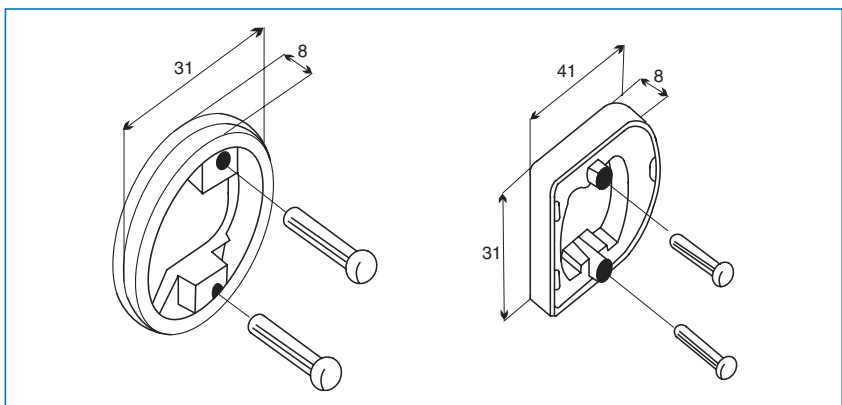


## COVER CAPS FOR HINGE „MINI“

### FRONT COVER PLASTIC

Round cover, chrome # 15.02.720  
Round cover, gold # 15.02.721  
Round cover, black # 15.02.722  
Round cover, alu # 15.02.723  
Round cover, matt NPL # 15.02.724

Oval cover, chrome # 15.02.730  
Oval cover, gold # 15.02.731  
Oval cover, black # 15.02.732  
Oval cover, alu # 15.02.733  
Oval cover, matt NPL # 15.02.734



# GLASS DOOR HINGE „SMART-92°“ WITH FRONT COVER

## GLASS DOOR HINGE „SMART-92°“

### Application

For inset doors. Ideal for furniture where only a very narrow wooden side-wall/pole is available. Direct fixing to side-wall/pole without any mounting plate

### Mounting

Glass door drilling:  $\varnothing 26$  mm  
Glass thickness: 4-6 mm  
C.C. 32 mm

### Material

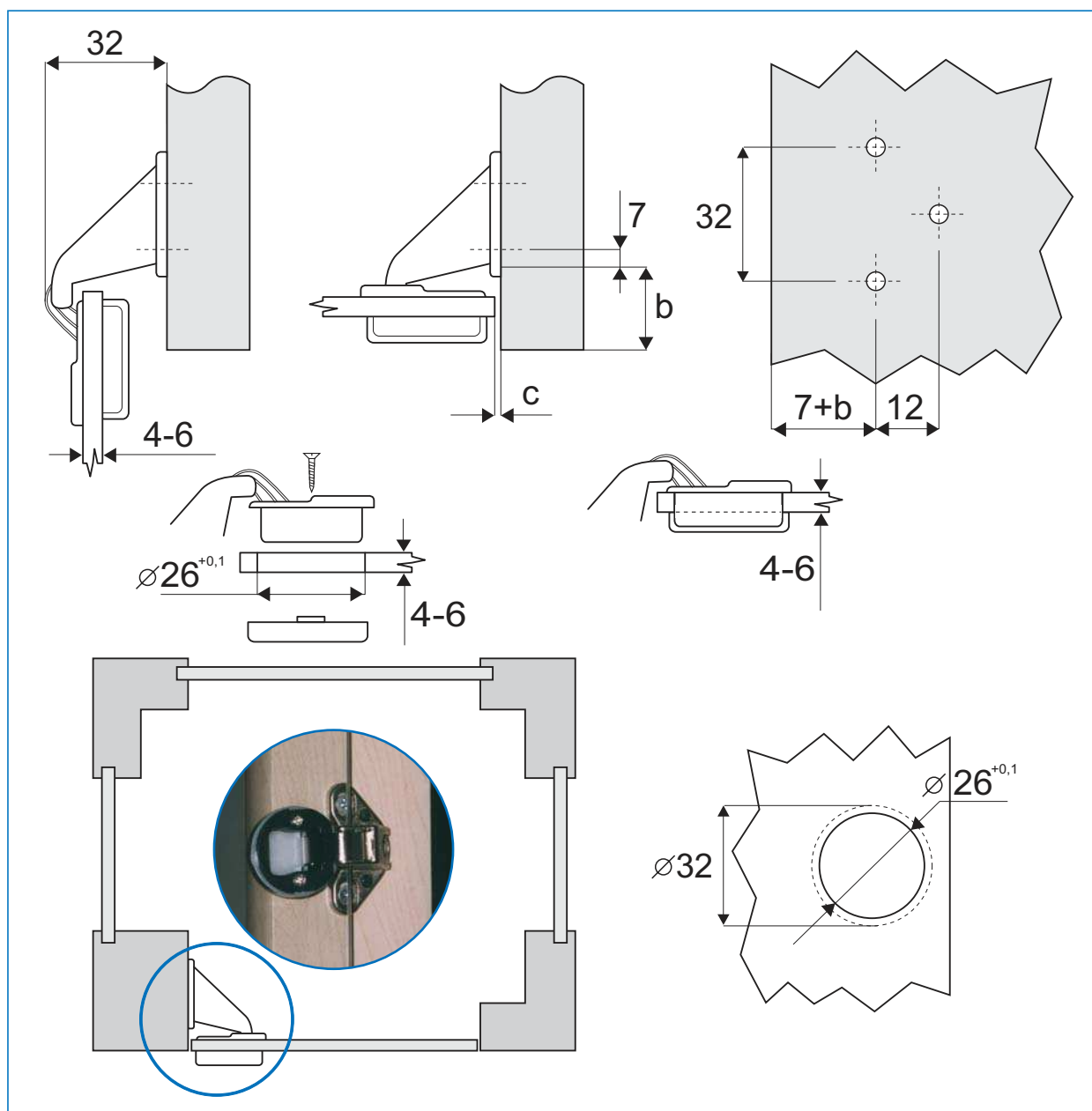
Hinge arm: Zamak, nickel plated  
Hinge cup: Black plastic  
Item No. # 15.01.000

Plastic cover cap  $\varnothing 32$  mm

### Finish

Alu finish # 15.01.050  
Nickel plated # 15.01.0XX  
Gold plated # 15.01.0XX  
Black anodized # 15.01.0XX

Oval shaped cover caps on request



## GLASS DOOR HINGE „NICE“

### MODEL „NICE“

#### Finish

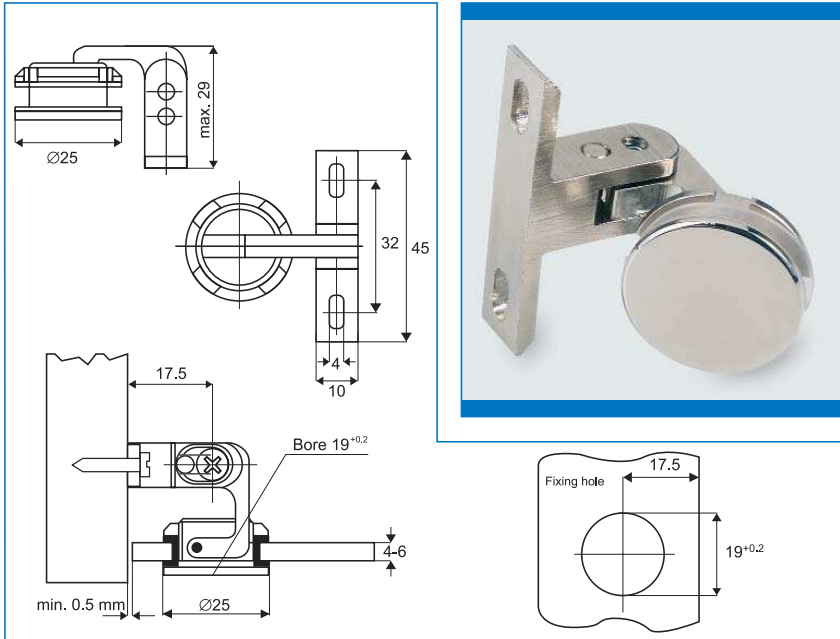
Chrome plated w/catch # 15.06.450  
 Chrome plated no catch # 15.06.455

#### Material

Solid brass polished  
 Brass chrome bright

#### Mounting

Inset doors 5-6 mm thickness  
 without catch  
 Opening angle: 105°  
 universal top or bottom  
 height can be adjusted  
 Drill size 19 mm diam.



## GLASS DOOR HINGE „ELEGANT“

### MODEL „ELEGANT“

#### Material

Natural brass

#### Finish

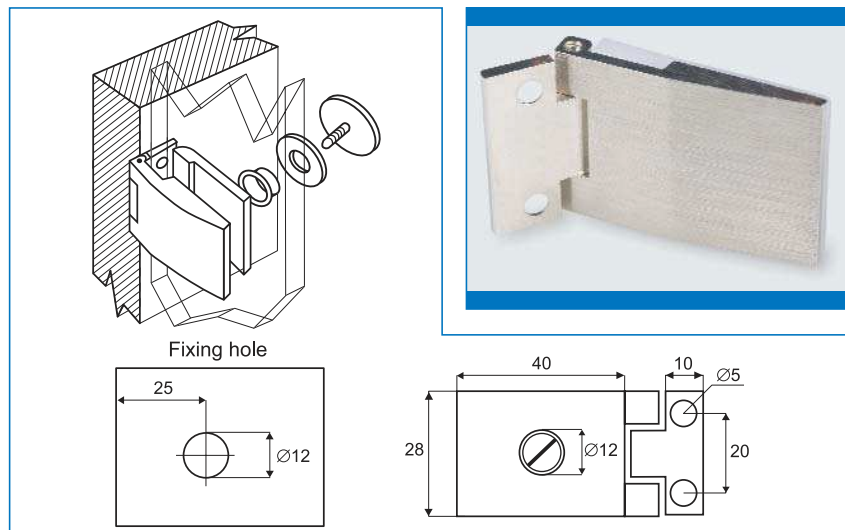
Brushed natural brass # 15.06.460  
 Brushed nickel # 15.06.461

#### Mounting

Inset doors 6 mm thickness  
 Opening 270°  
 Drill size 12 mm

#### Packing

40 pcs



## GLASS DOOR HINGE „GRACE“ SS304 FOR WOOD/GLASS

### MODEL „GRACE“

**Mounting:** Glass: ø 10 mm boring holes  
 Wood: 7 x 4 mm screw holes

**Material:** Stainless steel 304 - polished

**Hinge size:** 52 x 31 x 13 mm (H/W/D)

**Glass thickness:** 5 - 8 mm

**Max door size:** 650 x 900 mm

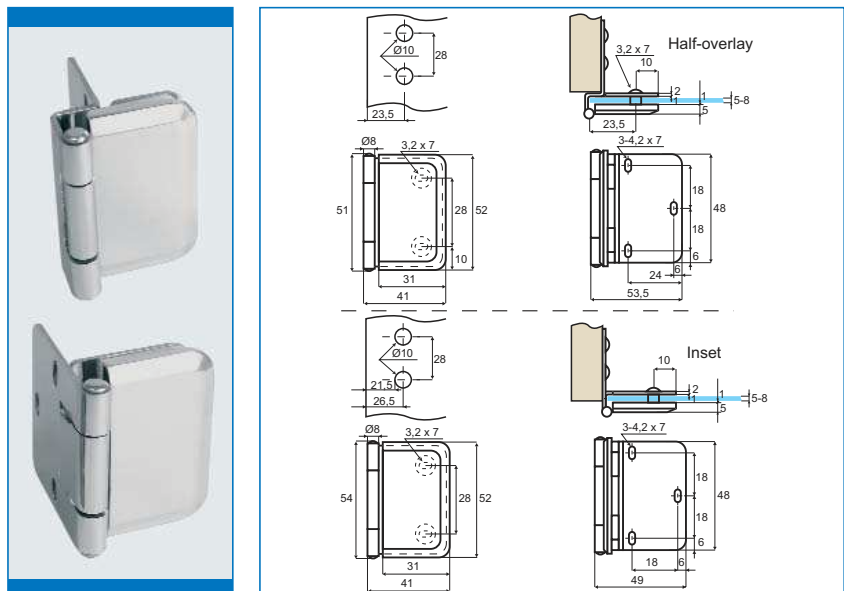
**Max door weight:** 6 kg per hinge

**Function:** Inset or half-overlay  
 Opening 180°

**Inset:** # 15.06.470

**Half-overlay:** # 15.06.471

Each hinge is supplied with 2 white cushions 1 mm thickness



# LIFT-OFF BUTT HINGE SS304 FOR UV-GLUE

**Mounting:** By UV-glue B 682-0 from Bohle.  
UV-lamp is needed

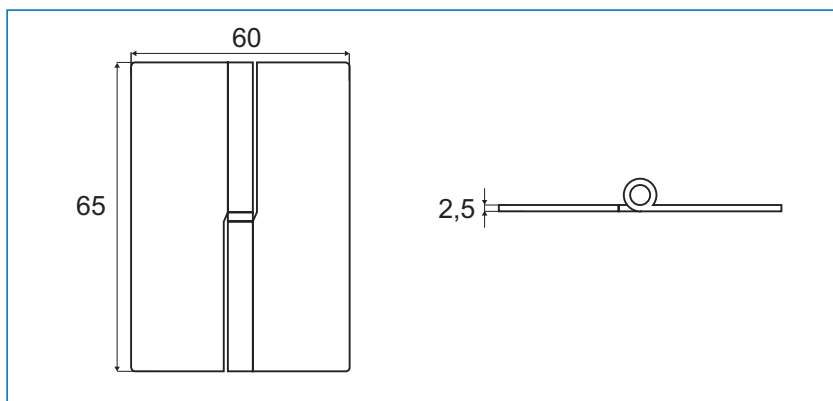
**Material:** 2,5 mm stainless steel 304 - polished

**Hinge size:** 65 X 60 mm (H/W)

**Function:** Inset doors  
Max door width 500 mm  
Load capacity: 7,5 KG per pair  
Opening angle 270°  
Glass thickness: 4-8 mm

**Right hand:** # 15.13.590

**Left hand:** # 15.13.600



## BUTT HINGE SS304 FOR UV-GLUE

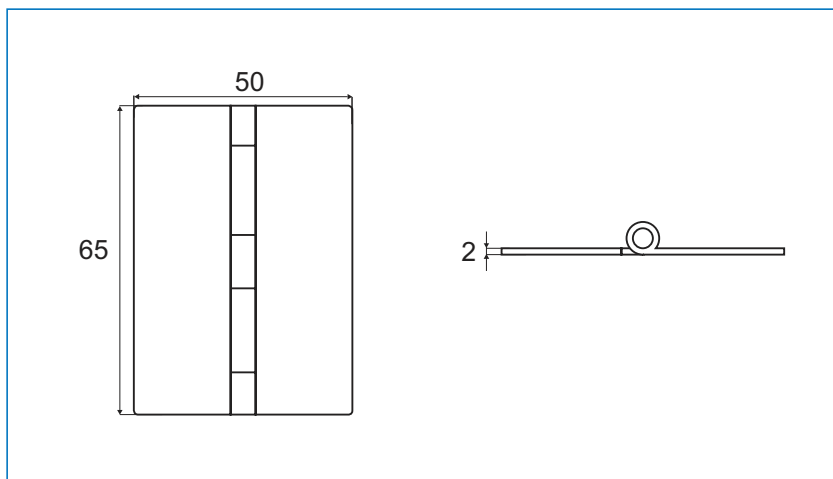
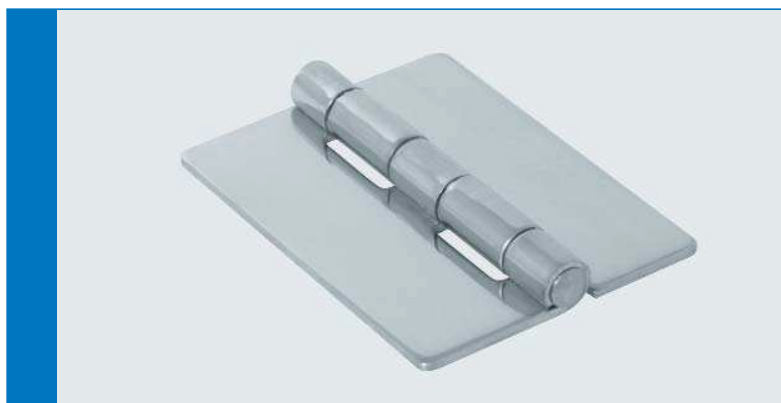
**Mounting:** By UV-glue B 682-0 from Bohle.  
UV-lamp is needed

**Material:** 2 mm stainless steel 304 - polished

**Hinge size:** 65 x 50 mm (H/W)

**Function:** Inset doors  
Max door width 500 mm  
Load capacity: 7,5 KG per pair  
Opening angle 270°  
Glass thickness: 4-8 mm

**Item No:** # 15.13.105



## GLASS DOOR HINGE 11.300 - NO DRILLING

**MODEL**  
No. 11.300 inset doors

**Material:** Steel  
 Chrome plated # 15.06.036  
 Brass plated # 15.06.035  
 Black anodized # 15.06.037  
 Alu finish # 15.06.038

**Mounting:** Top + Bottom  
 Inset Doors, max 4-6 mm  
 Complete with nylon bushings

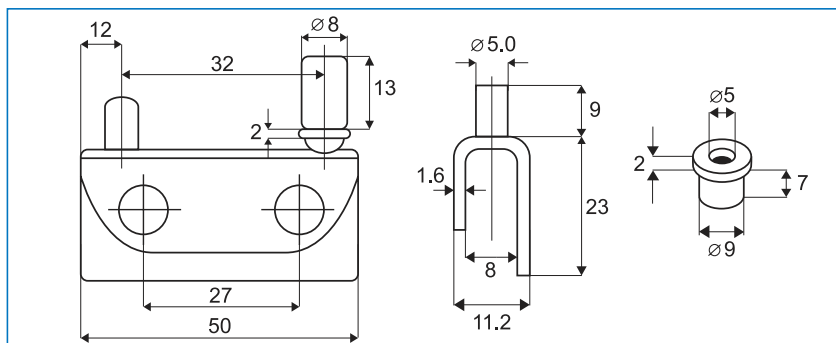
**Front plate:**  
 Size: 50 x 23 mm - polished

**Matching handle:**  
 See page 31

**Packing:**  
 Each pair (Right + Left)  
 is packed in a polybag complete  
 with bushings & steel screws w/soft tip

**BALL CATCH** # 15.06.076  
**Material:** Brass  
**Size:** Ø 8 mm x 13 mm

Optional, to be ordered separately



## GLASS DOOR HINGE 11.561 - NO DRILLING

**MODEL**  
No. 11.561 inset doors

**Material:** Steel  
 Chrome plated # 15.06.096  
 Brass plated # 15.06.091  
 Black anodized # 15.06.095  
 Alu finish # 15.06.098

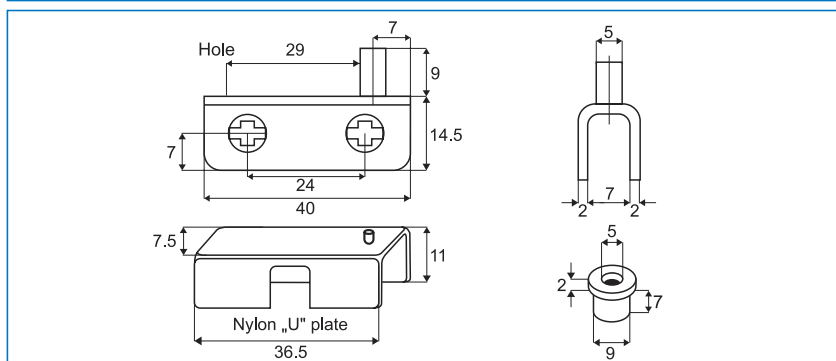
**Mounting:** Top + Bottom  
 Inset Doors, max 5 mm  
 Complete with nylon bushings  
 & sleeve

**Front plate:**  
 Size: 40 x 15 mm - polished

**Matching handle:**  
 See page 31

**Packing:**  
 Each pair ( Right + Left) is packed  
 in a polybag complete with bushings  
 & sleeves.  
 500 pairs per box

**BALL CATCH** # 15.06.076  
**Material:** Brass  
**Size:** Ø 8 mm x 13 mm  
 Optional, to be ordered separately



## GLASS PIVOT HINGE „BRASS“ - NO DRILLING

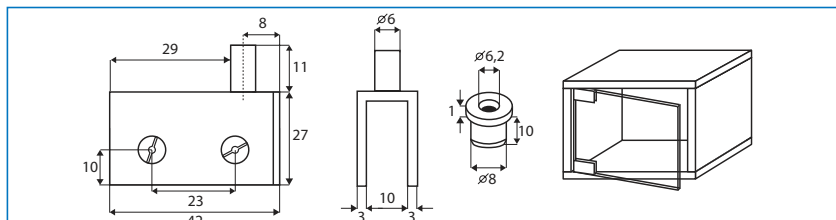
**Mounting:** Inset doors. Complete with  
 brass bushings & soft  
 tip screws

**Material:** 3 mm brass  
**Hinge size:** 42 x 27 x 16  
 mm (W/H/D)

**Bushing size:** Ø 8 x 11 mm

**Glass thickness:** 4 - 8 mm

Chrome plated # 15.06.070  
 Alu finish # 15.06.071



# GLASS PIVOT HINGE „STAINLESS STEEL“ - NO DRILLING



## MODEL „SMALL“

### Mounting:

Inset doors. Complete with brass bushings & soft tip screws

### Material:

2 mm stainless steel, polished

Hinge size: 42 x 20 x 13 mm (W/H/D)

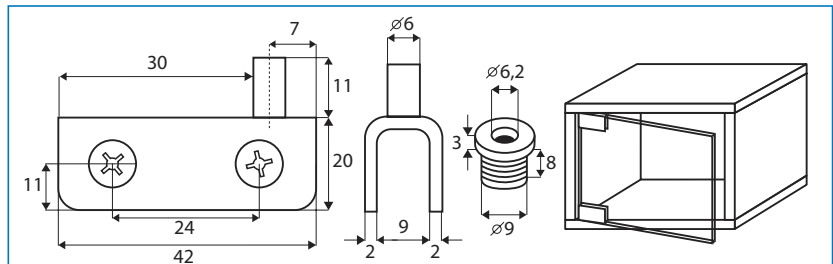
Bushing size:  $\varnothing 9 \times 8$  mm

Glass thickness: 6 mm

Item No. # 15.06.060

### Packing:

70 pairs per carton



## MODEL „MEDIUM“

### Mounting:

Inset doors. Complete with brass bushings & soft tip screws

### Material:

2 mm stainless steel, polished

Hinge size: 52 x 26 x 16 mm (W/H/D)

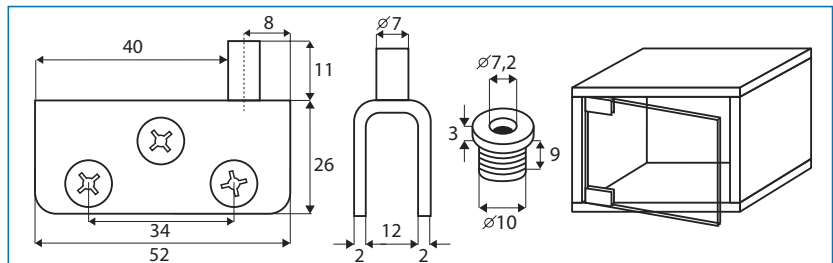
Bushing size:  $\varnothing 10 \times 9$  mm

Glass thickness: 8 mm

Item No. # 15.06.062

### Packing:

70 pairs per carton



## MODEL „LARGE“

### Mounting:

Inset doors. Complete with brass bushings & soft tip screws

### Material:

2 mm stainless steel, polished

Hinge size: 71 x 35 x 17 mm (W/H/D)

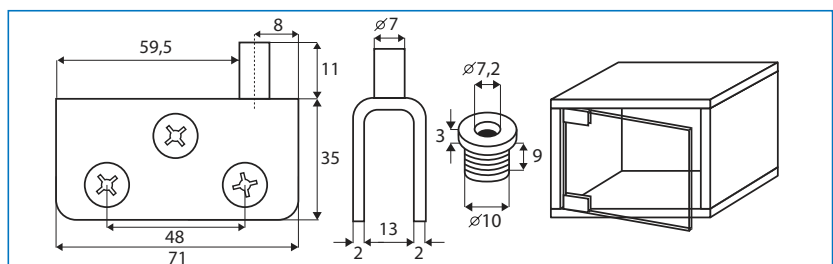
Bushing size:  $\varnothing 10 \times 9$  mm

Glass thickness: 10 mm

Item No. # 15.06.064

### Packing:

70 pairs per carton



# GLASS DOOR HINGE A-11 - NO DRILLING

**MODEL NO. A-11** w/Catch inset doors

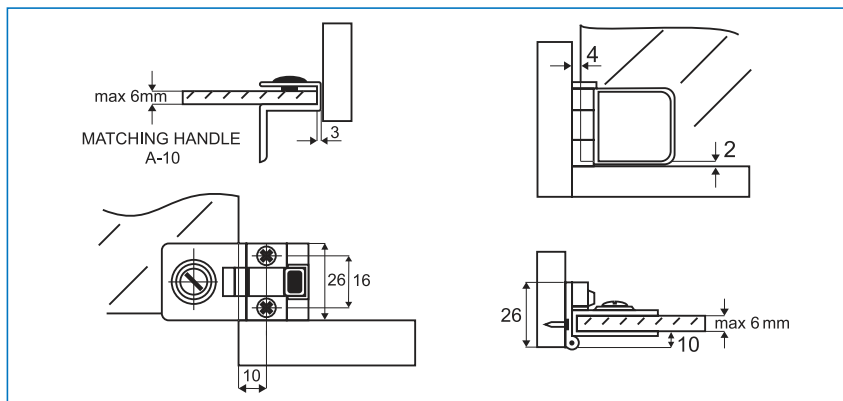
**Material:** Zamak  
 Chrome plated # 15.06.126  
 Brass plated # 15.06.120  
 Black anodized # 15.06.127

**Mounting:**  
 Inset doors, max 5-6 mm  
 Side fixation

**Front plate:**  
 Size: 25 x 25 mm - framed & sparkled

**Matching handle:**  
 # A-10

**Packing:**  
 Each pair (Right + Left) incl. pads/cushions is packed in a polybag  
 200 pairs per box



# GLASS DOOR HINGE 11-100 - NO DRILLING

**MODEL NO. 11.100** w/Catch inset doors

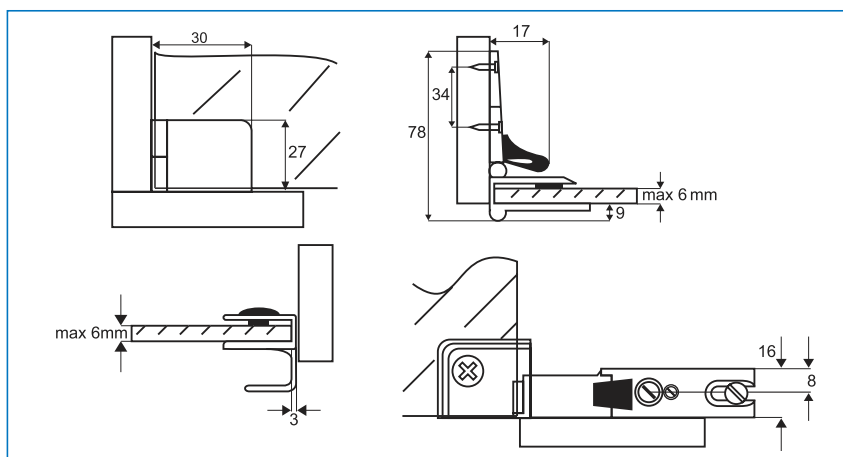
**Material:** Zamak  
 Chrome plated # 15.06.025

**Mounting:** Side fixation  
 Inset doors, max 4-6 mm  
 Max door size: 800 x 350 mm  
 - 4 kilos

**Front plate:**  
 Size: 27 x 23 mm, sparkled

**Matching handle:**  
 # 11.200

**Packing:**  
 Each pair (Right + Left) incl. pads/cushions is packed in a polybag  
 40 pairs per box  
 200 pairs per export carton



# GLASS DOOR HINGE D-13/2 - NO DRILLING

**MODEL w/Catch  
NO. D 13/2 inset doors**

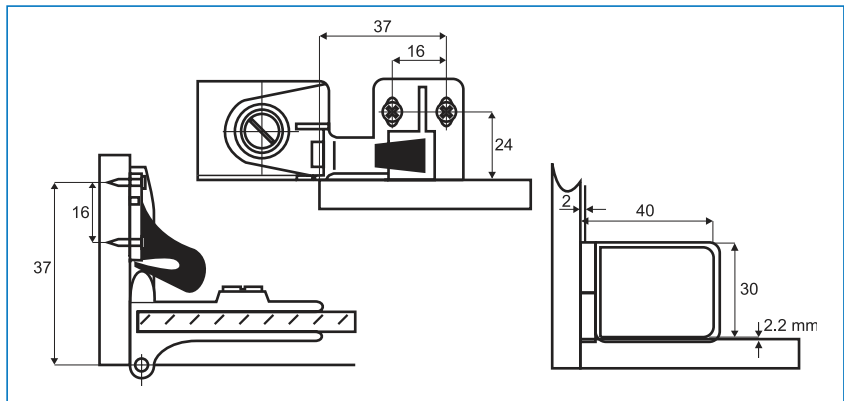
**Material:** Zamak  
 Chrome plated # 15.06.102  
 Bronze plated # 15.06.103  
 Black anodized # 15.06.105

**Mounting:**  
 Inset doors, max 5 mm  
 Max door size 1000 x 600 mm

**Front plate:**  
 Size 40 x 30 mm sparkled

**Matching handle:**  
 # D-12, D-12/2, D-120

**Packing:**  
 Each pair (right + left) incl. pads/cushions  
 is packed in a polybag  
 50 pairs per box  
 200 pairs per export carton



# GLASS DOOR HINGE D-17 - NO DRILLING

**MODEL D 17 w/Catch  
OVERLAY DOORS**

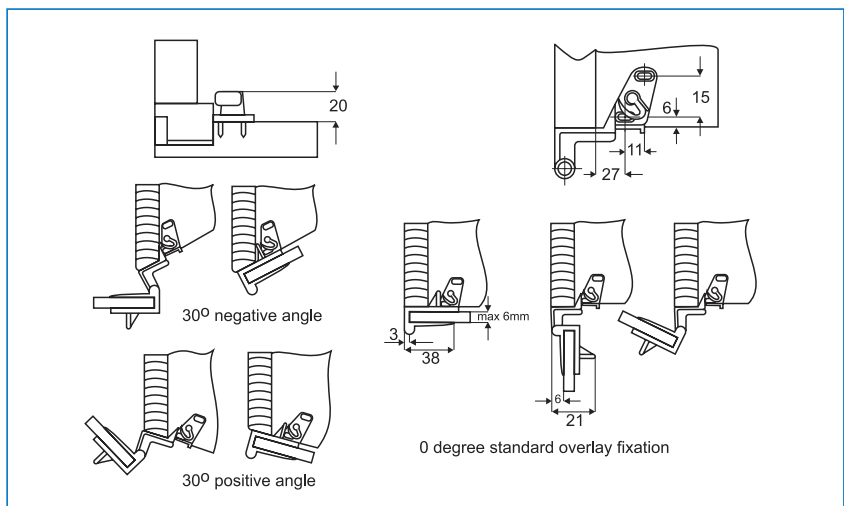
**Material:** Zamak  
 Chrome plated # 15.06.135

**Mounting:**  
 Overlay doors, max 6 mm  
 Top & Bottom fixation  
 for 30° positive  
 and 30° negative angle  
 Opening angle 120°

**Front plate:**  
 Size: 40 x 30 mm - sparkled

**Matching handle:**  
 # D-12, D-12/2 & D-120

**Packing:**  
 Each pair (Right + Left)  
 incl. pads/cushions is packed  
 in a polybag  
 200 pairs per box



# GLASS DOOR HINGE D-16 - NO DRILLING

**MODEL** w/Catch  
**D-16** OVERLAY DOORS

**Material**  
Zamak

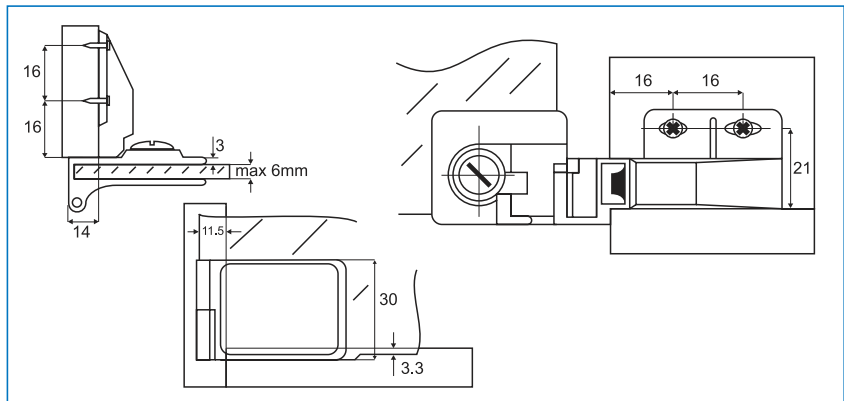
**Finish**  
 Chrome plated # 15.06.415  
 Brass plated # 15.06.410  
 Black anodized # 15.06.420

**Mounting**  
 Overlay doors, max 5 mm

**Front plate**  
 Size: 40 x 30 mm, sparkled

**Matching handle**  
 # D-12, D-12/2 & D-120

**Packing**  
 Each pair ( Right + Left)  
 incl. pads/cushions is packed  
 in a polybag  
 150 pairs per box



# GLASS DOOR HINGE C-13 CENTER - NO DRILLING

**MODEL** w/Catch  
**C-13** INSET DOORS

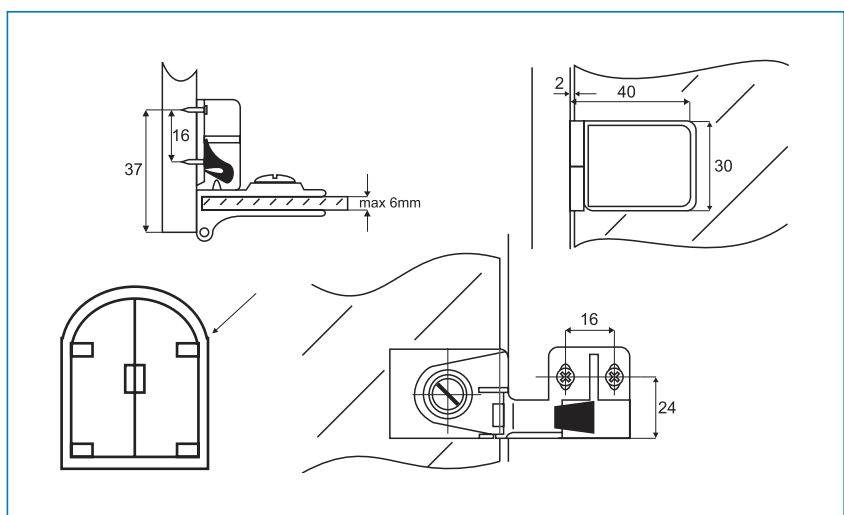
**Material** Zamak L/R  
 Chrome plated # 15.06.311/321  
 Brass plated # 15.06.310/320  
 Bronze plated # 15.06.312/322  
 Black anodized # 15.06.313/323

**Mounting**  
 Inset doors, max 5 mm  
 Centre- or Top fixation for  
 rounded doors

**Front plate**  
 Size: 40 x 30 mm - framed  
 & sparkled

**Matching handle**  
 # D-12, D-12/2 & D-120

**Packing**  
 100 pairs per box  
 400 pairs per export carton



# BRASS GLASS DOOR HINGE „SWAN“ F/6-8 MM GLASS



## MODEL „SWAN“

### Finish

Gold plated # 15.30.000

### Material

Brass

### Consists of

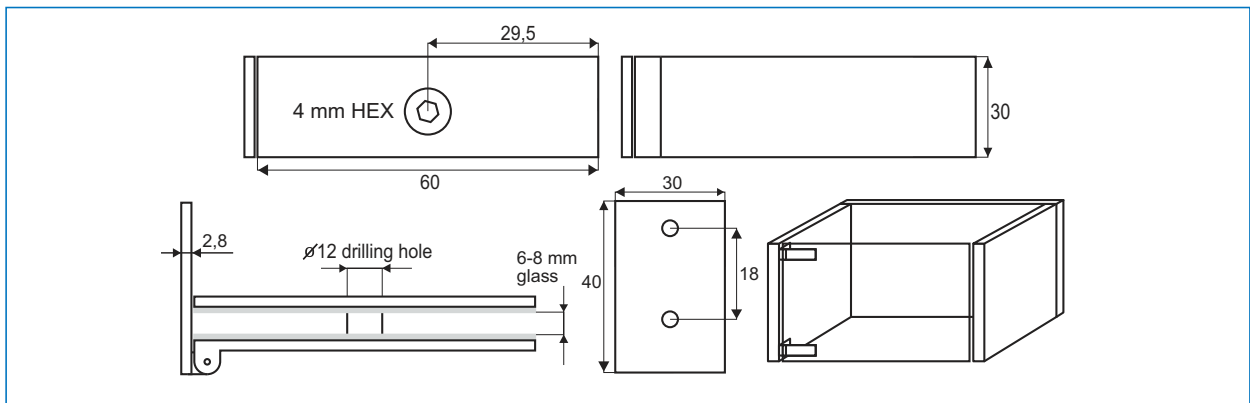
1 hinge 60 x 30 mm  
2 cork cushions  
1 brass screw M6 x 10 mm, 4 mm hex

### Function

Inset doors, max 6-8 mm glass thickness  
Max door size 1400 x 700 mm  
Ø12 mm drilling hole  
Opening angle 90°

### Packing

200 pcs per export carton



## GLASS DOOR PULL F/SLIDING DOORS

### GLASS DOOR PULL FOR SLIDING DOORS

#### Material

Brass

Ø30 x 9 mm - bore Ø 26 mm

#### Finish

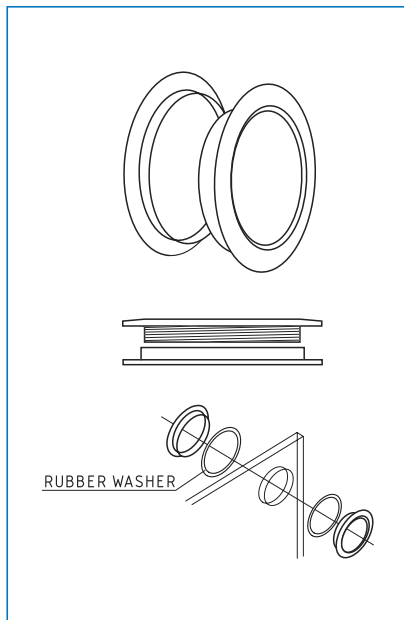
Chrome plated # 17.40.100  
Alu finish # 17.40.101  
Mat nickel # 17.40.102  
Polish brass # 17.40.103  
Satin brass # 17.40.104

Ø43 x 9 mm - bore Ø 35 mm

#### Finish

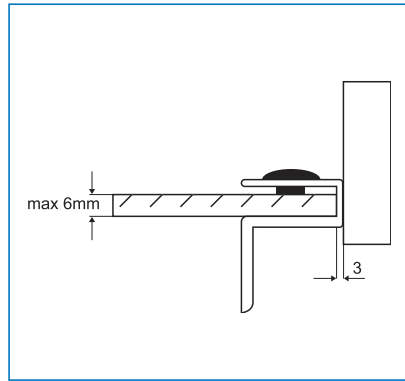
Chrome plated # 17.40.110  
Alu finish # 17.40.111  
Mat nickel # 17.40.112  
Polish brass # 17.40.113  
Satin brass # 17.40.114

FOR GLASS THICKNESS 4 - 8 mm

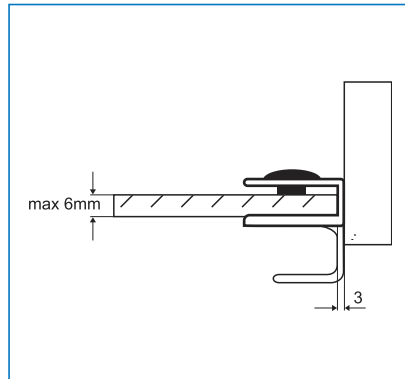


# GLASS DOOR HANDLE - NO DRILLING

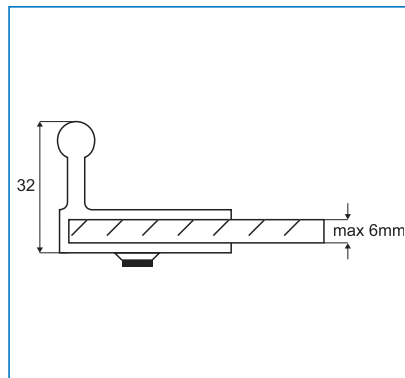
**MODEL** w/Clamp Screw  
**A-10** SINGLE DOOR  
**Material:** Zamak  
Chrome plated # 17.40.032  
Brass plated # 17.40.030  
Bronze plated # 17.40.033  
Black anodized # 17.40.031  
**Packing:**  
500 pcs per export carton



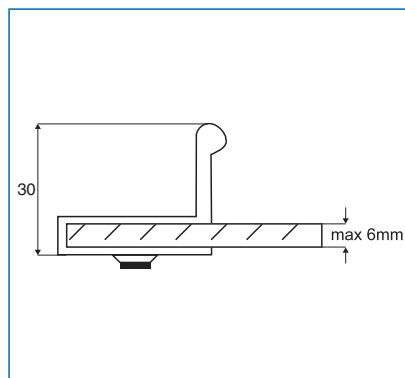
**MODEL** w/Clamp Screw  
**11-200** SINGLE DOOR  
**Material:** Zamak  
Chrome plated # 17.40.011  
Brass plated # 17.40.010  
Bronze plated # 17.40.010  
Black anodized # 17.40.010  
Nickel plated # 17.40.010  
**Packing:**  
500 pcs per box



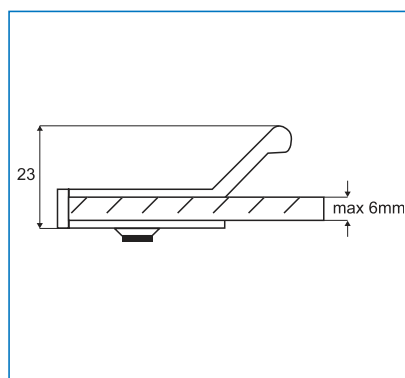
**MODEL** w/Clamp Screw  
**D-12** SINGLE DOOR  
**Material:** Zamak  
Chrome plated # 17.40.022  
Brass plated # 17.40.020  
Bronze plated # 17.40.023  
Black anodized # 17.40.021  
**Finish:** Sparkled  
**Packing:**  
200 pcs per box



**MODEL** w/Clamp Screw  
**D-12/2** SINGLE DOOR  
**Material:** Zamak  
Chrome plated # 17.40.018  
Brass plated # 17.40.019  
Bronze plated # 17.40.017  
Black anodized # 17.40.017  
**Finish:** Sparkled  
**Packing:**  
50 pcs per box  
400 pcs per export carton



**MODEL** w/Clamp Screw  
**D-120** DOUBLE DOORS  
**Material:** Zamak  
Chrome plated # 17.40.041  
Brass plated # 17.40.040  
Bronze plated # 17.40.042  
Black anodized # 17.40.046  
**Finish:** Sparkled  
**Packing:**  
50 pcs per box  
400 pcs per export carton



## MIRROR MOVEMENT NO. 117

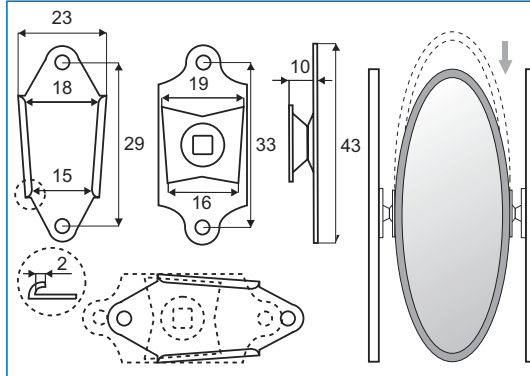
**Application**  
For turnable mirrors w/wood frame

**Material**  
Steel

**Screw holes**       $\varnothing 4$  mm

**Finish**  
Brass plated      # 22.05.055  
Bronze plated    # 22.05.056  
Nickel plated     # 22.05.057

**Packing:** 200 sets per carton



## MIRROR MOVEMENT NO. 88

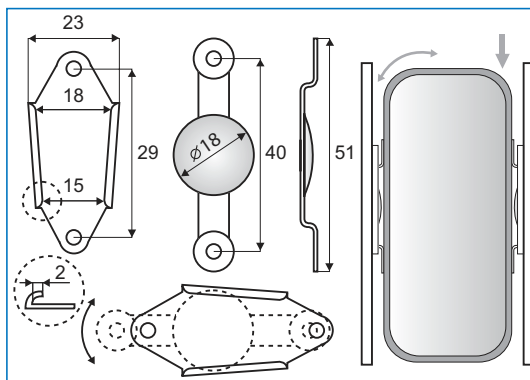
**Application**  
For turnable mirrors w/wood frame

**Material**  
Steel

**Screw holes**       $\varnothing 4$  mm

**Finish**  
Brass plated      # 22.05.050  
Bronze plated    # 22.05.051  
Nickel plated     # 22.05.052

**Packing:** 200 sets per carton



## MIRROR OR GLASS CLIP

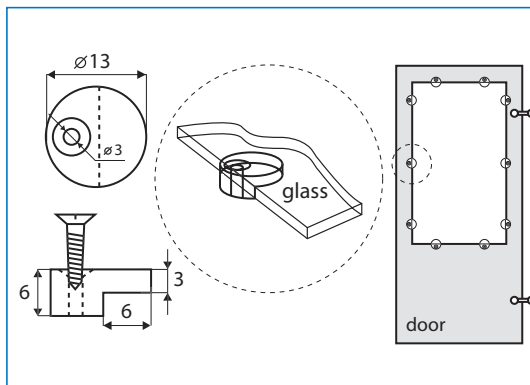
**Application**  
For safe mounting of mirrors or other glass panels of 4 mm thickness

**Material**  
Plastic transparent

**Screw holes**       $\varnothing 3$  mm

Item No.            # 22.05.200

**Option**  
also available for other glass thickness upon special request or inquiry.  
Other colour available.



## MIRROR SNAP FITTING

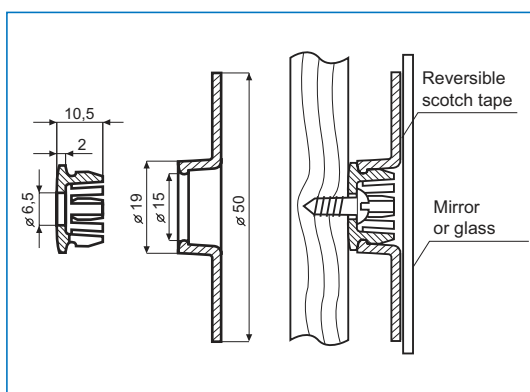
**Application**  
Quick snap mounting of mirrors/glass

The snap button is screwed into the wall.  
The clip part is glued on the mirror with a premounted adhesive tape.  
After fixing of both parts you can mount the glass/mirror by pressing the fittings together.

**Material**  
White plastic

**Screw hole**       $\varnothing 6,5$  mm

Item No.            # 22.05.205



## MIRROR CLIPS W/SPRING

### Application

Fixing of mirrors. No drilling in glass required

### Consists of

2 spring loaded top clips & 2 fixed bottom clips

### Glass thickness

5 mm

### Screw holes

ø5 mm

### Finish

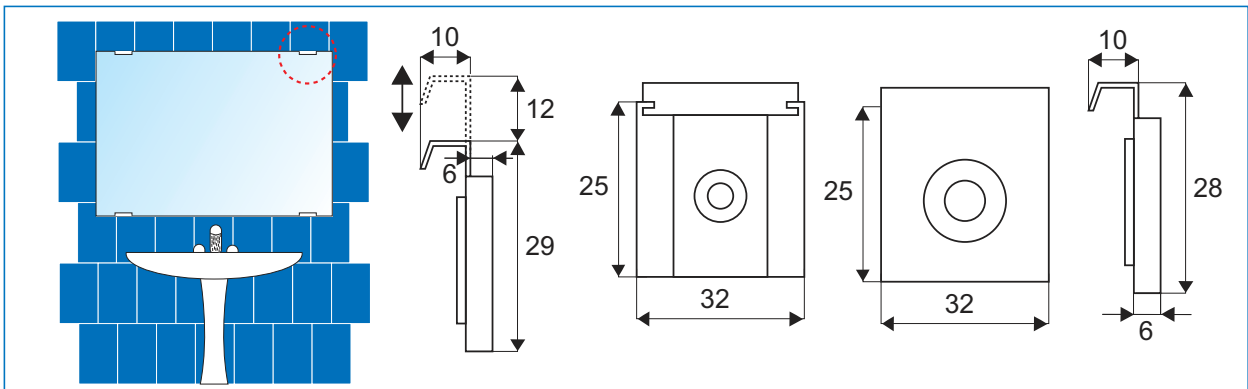
Steel, chrome plated # 22.05.100

Stainless steel 304 # 22.05.105

### Packing

400 sets per carton

W/screws and wall plugs



## MIRROR SCREWS W/CAP

### Application

Fixing of mirrors. Drilling in glass required

### Consists of

Screw, rubber ring & cap

### Material

Brass

### ø4 x 19 mm screw. ø13 mm cap

Chrome plated # 22.05.140

SS-look # 22.05.141

### ø4 x 25 mm screw. ø13 mm cap

Chrome plated # 22.05.145

SS-look # 22.05.146

### ø4 x 30 mm screw. ø13 mm cap

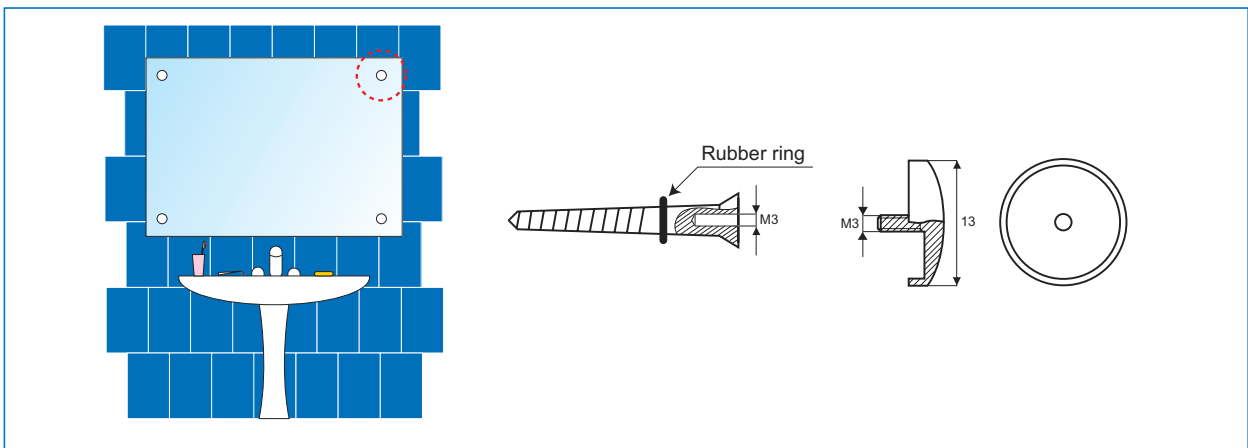
Chrome plated # 22.05.150

SS-look # 22.05.151

### ø4 x 34 mm screw. ø13 mm cap

Chrome plated # 22.05.155

SS-look # 22.05.156



## SIGNBOARD SCREWS „ALU“

### Application

Mounting of signboards, mirrors etc.

### Material

Aluminium

### Mounting

ø 4 mm screw hole

#### ø 13 x 13 mm

Panel thickness: 2 - 6 mm

Anodized # 22.11.110

Red # 22.11.111

Blue # 22.11.112

Gold # 22.11.113

Black # 22.11.114

Alu polished # 22.11.115

#### ø 13 x 19 mm

Panel thickness: 2 - 8 mm

Anodized # 22.11.120

Red # 22.11.121

Blue # 22.11.122

Gold # 22.11.123

Black # 22.11.124

Alu polished # 22.11.125

#### ø 19 x 25 mm

Panel thickness: 2 - 12 mm

Anodized # 22.11.130

Red # 22.11.131

Blue # 22.11.132

Gold # 22.11.133

Black # 22.11.134

Alu polished # 22.11.135

#### ø 25 x 30 mm

Panel thickness: 2 - 12 mm

Anodized # 22.11.140

Red # 22.11.141

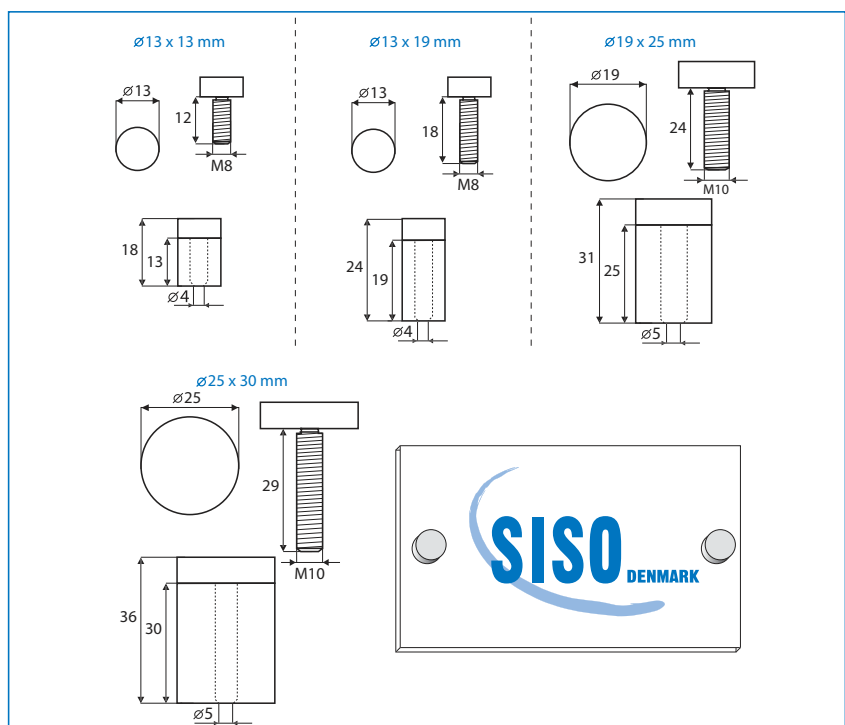
Blue # 22.11.142

Gold # 22.11.143

Black # 22.11.144

Alu polished # 22.11.145

All signboard screws are supplied  
w/2 transparent washers



## SIGNBOARD SCREW „SS“ W/CSK HEAD

### Application

Mounting of signboards, mirrors etc.

### Features

Counter sunk head with snake eyes

### Material

Stainless steel 304

### Mounting

8 x 14 mm screw hole

#### ø 20 x 28 mm

Panel thickness: 8 - 12 mm

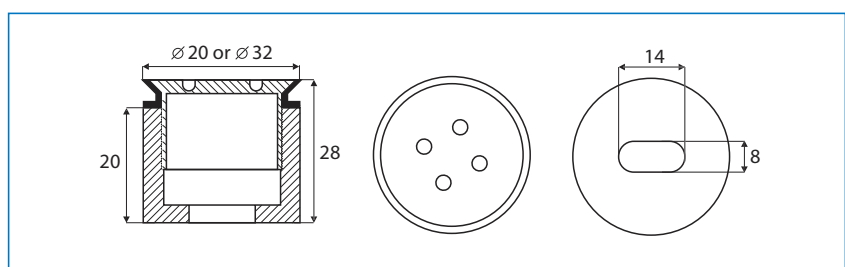
SS 304 # 22.11.150

#### ø 32 x 28 mm

Panel thickness: 8 - 12 mm

SS 304 # 22.11.152

All signboard screws are supplied  
with black plastic washers



## SIGNBOARD SCREWS

### Application

Mounting of signboards, mirrors etc.

### Material

Brass

### Mounting

ø4 mm screw hole

#### ø 13 x 19 mm

Panel thickness: 2 - 10 mm  
 Chrome plated # 22.11.000  
 SS-look # 22.11.001

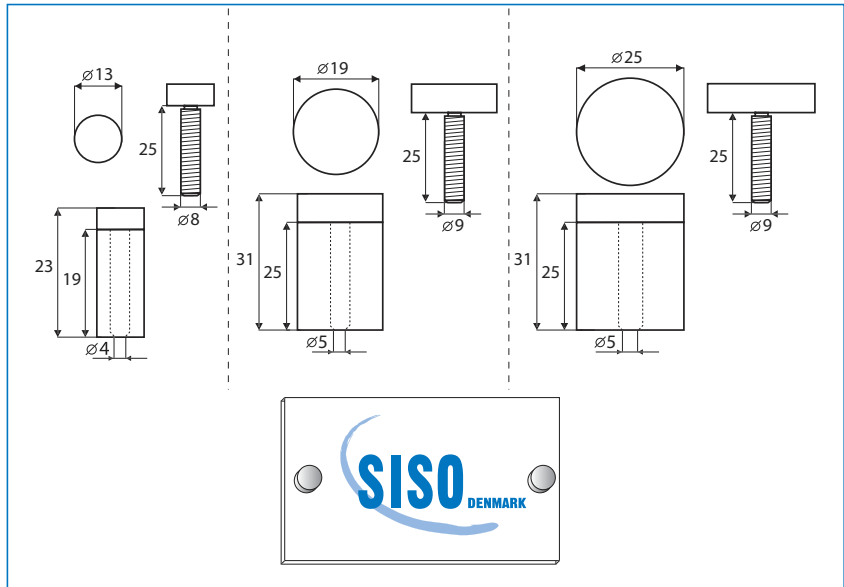
#### ø 19 x 25 mm

Panel thickness: 2 - 15 mm  
 Chrome plated # 22.11.050  
 SS-look # 22.11.051

#### ø 25 x 25 mm

Panel thickness: 2 - 15 mm  
 Chrome plated # 22.11.100  
 SS-look # 22.11.101

All signboard screws are supplied w/2 transparent washers



## SIGNBOARD HOLDERS

### Application

Mounting of signboards, mirrors etc.

### Material

Brass

### Mounting

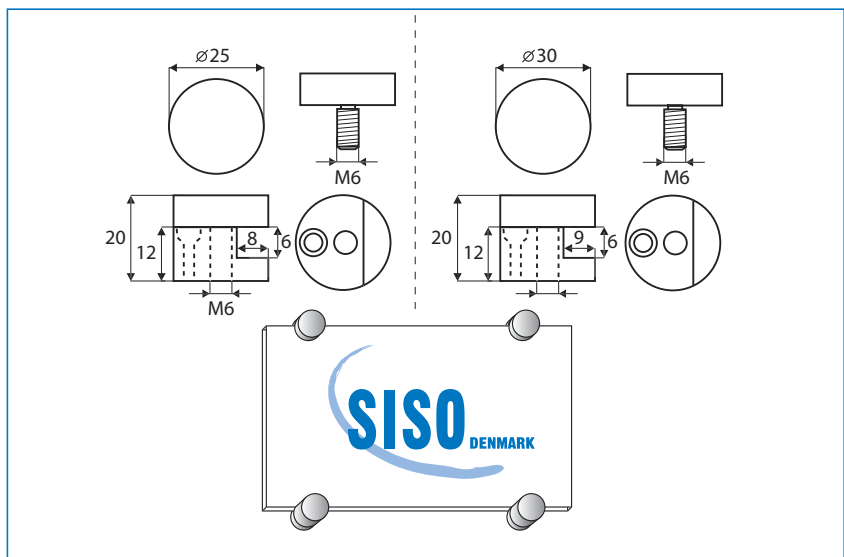
ø4 mm screw hole

#### ø 25 x 20 mm

Panel thickness: 6 mm  
 Chrome plated # 22.11.200  
 SS-look # 22.11.201

#### ø 30 x 20 mm

Panel thickness: 6 mm  
 Chrome plated # 22.11.210  
 SS-look # 22.11.211

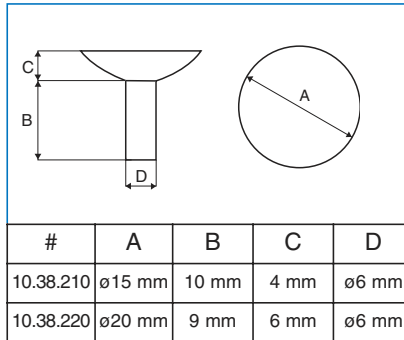


## SUCTION PADS & BUMPERS

### SUCTION PADS

For glass table tops

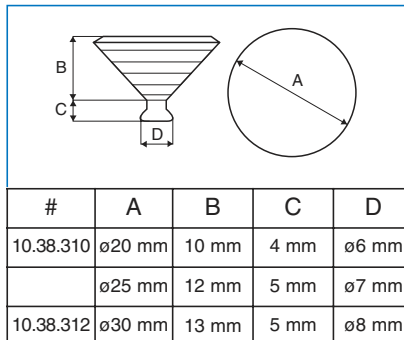
**Material** PVC  
**Colour** Transparent  
**Packing** 5000 pcs



### SUCTION PADS

For glass table tops

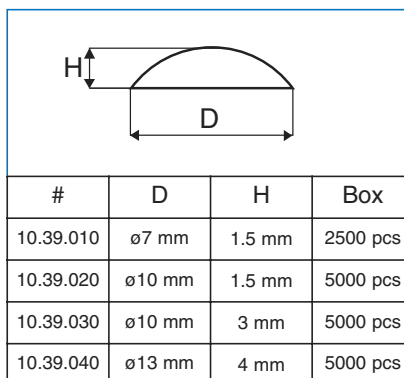
**Material** PVC  
**Colour** Transparent



### BUMPER DISCS

Self adhesive Silencers

**Material** PVC, soft  
**Colour** Transparent



## TABLE LEG F/GLASS TABLE TOPS

### Application

Table legs for glass table tops.  
 With adjustable glide.

### Mounting

UV-Glue

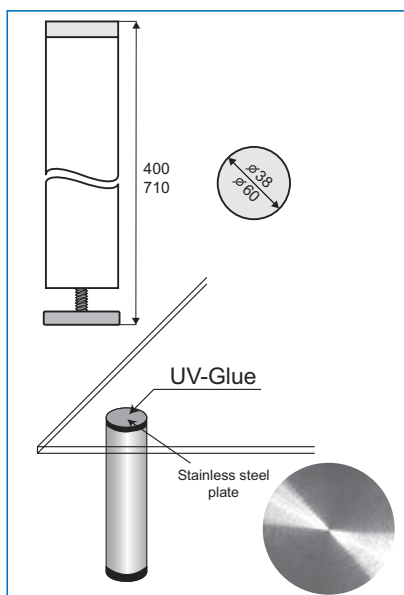
### Material

Steel, chrome plated legs  
 Stainless steel mounting plate  
 Black plastic adjuster

ø38 x 400 mm # 06.10.070  
 ø60 x 710 mm # 06.10.100

### Packing

4 legs = 1 set



## „The Post“

Shelving leg system.

Can be used for shelving, storage or display purposes. Office shelves, desk shelf, shop fittings, movable trade fair displays, entertainment centres.

Easy assembly and dis-assembly

Reconfigurable

Mounting clip for wood	Zamak Aluminium finish	# 22.30.000
Foot plug	Black plastic	# 22.30.001
Mounting plug clip	Black plastic	# 22.30.002
Mounting plate for glass	Stainless Steel	# 22.30.003
Aluminium bar of 2 meters	Aluminium anodized	# 22.30.004

### Mounting instruction for glass tops

The stainless steel plate is first glued to the zamak mounting clip by use of BOHLE UV-Glue B 682-0 together with BOHLE UV-Activator B 953-0. UV-lamp is not needed.

After the 2 parts are glued together the stainless steel plate is glued to the glass plate by use of BOHLE UV-Glue B 682-0. UV-lamp is needed.

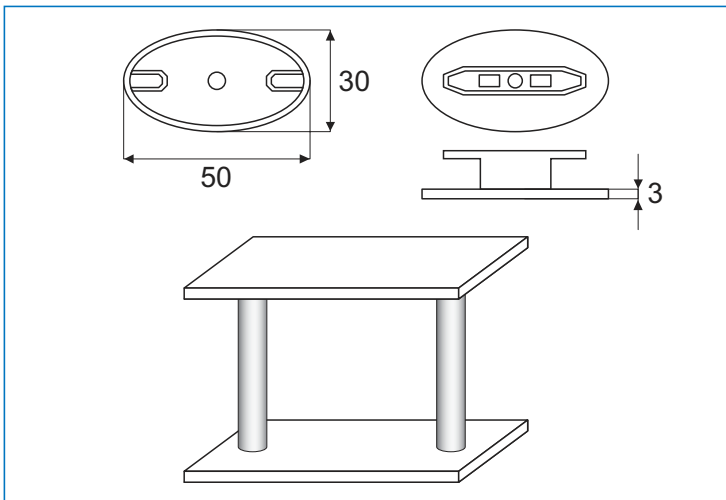
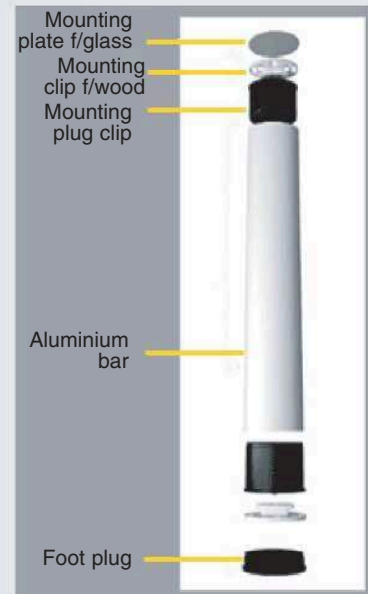
### The Post - Connector detail



### Kitchens



### Extrusion illustration of The Post



### Assembly

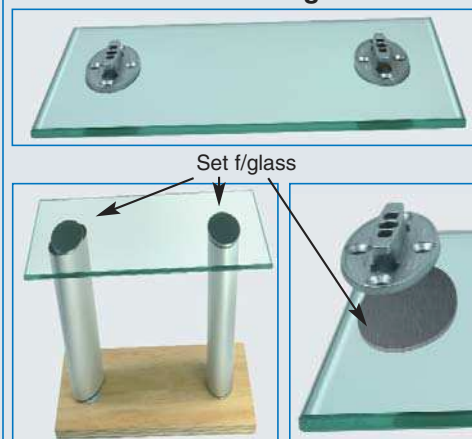


2. Place shelf on posts

1. Screw connectors into desk/bench and shelf and place posts on connectors

3. Twist posts until it locks „click“, simply twist to unlock

### The Post for glass



# SAUNA HINGE F/GLASS DOORS W/MOUTING PLATE

## Model „SLOVAKIA“

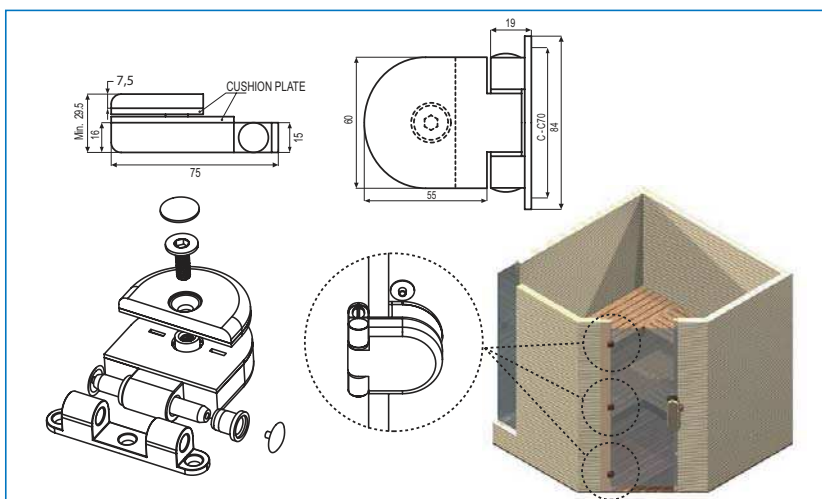
Opening: 180 degrees.  
Load capacity: 20 kg per hinge.  
Glass thickness: 6-8 mm.  
Max glass width: 1000 mm.

### One hinge consists of:

- 1 zamak mounting plate 15 x 84 mm.
- 3 CSK screw holes  $\varnothing$  5 mm. c/c 70 mm.
- 1 zamak hinge body 60 x 55 mm.
- 1 stainless steel connecting pin.
- 2 plastic bushings.
- 1 stainless steel tightening screw M8 x 20 mm.
- 1 transparent height adjustment washer. Bore hole  $\varnothing$  20 mm.
- 1 transparent protection ring.
- Bore hole  $\varnothing$  16 mm.
- 3 plastic cover caps.

### Finish

- Brown powder painted # 15.25.050
- Chrome plated # 15.25.051
- Aluminium look # 15.25.052
- Satin nickel plated # 15.25.053
- White powder painted # 15.25.054



# SAUNA HINGE F/GLASS DOORS - PIN MOUTING

## Model „TREBISOV“

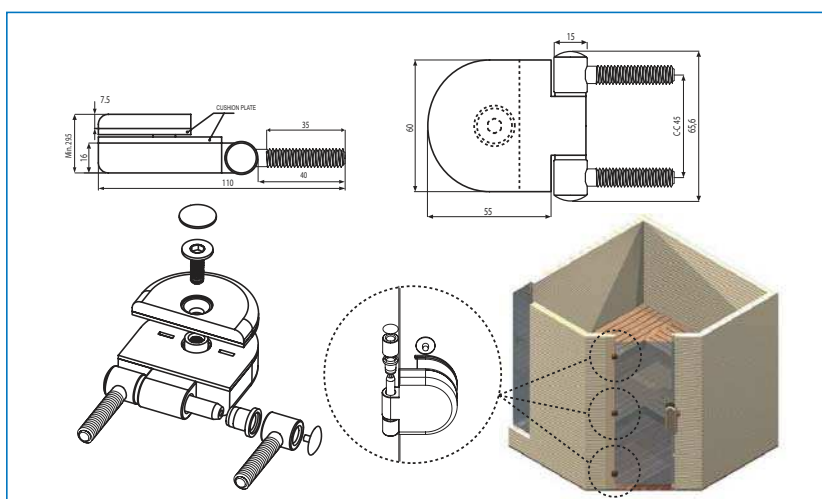
Opening: 180 degrees.  
Load capacity: 20 kg per hinge.  
Glass thickness: 6-8 mm.  
Max glass width: 1000 mm.

### One hinge consists of:

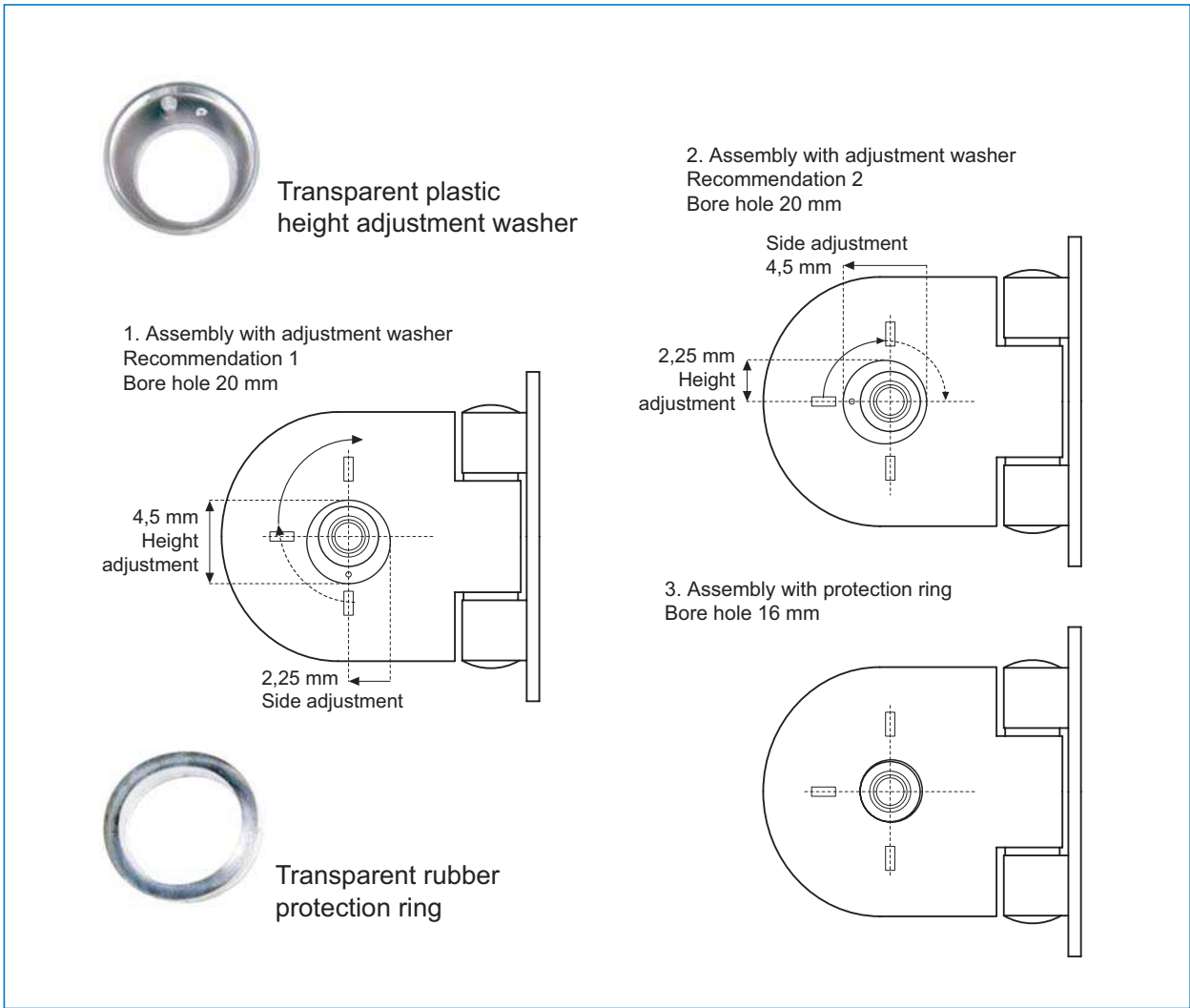
- 2 steel cylinders  $\varnothing$  15 mm
- w/ M8 x 40 mm pins for door frame mounting. c/c. 45 mm.
- 1 zamak hinge body 60 x 55 mm.
- 1 stainless steel connecting pin.
- 2 plastic bushings.
- 1 stainless steel tightening screw M8 x 20 mm.
- 1 transparent height adjustment washer. Bore hole  $\varnothing$  20 mm.
- 1 transparent protection ring. Bore hole  $\varnothing$  16 mm.
- 3 plastic cover caps.

### Finish

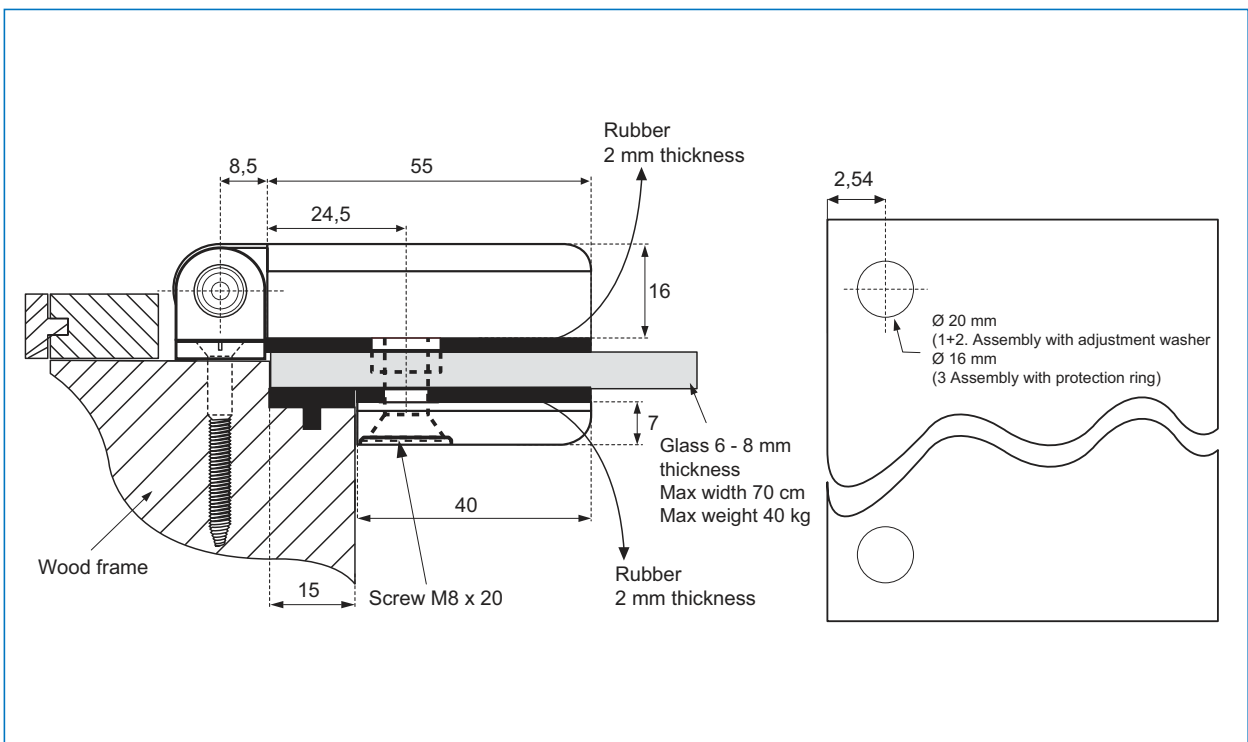
- Brown powder painted # 15.25.000
- Chrome plated # 15.25.002
- Aluminium look # 15.25.001
- Satin nickel plated # 15.25.003
- White powder painted # 15.25.004



# HEIGHT ADJUSTMENT WASHER INSTRUCTION



## MOUNTING INSTRUCTION F/GLASS DOOR HINGE MODEL SLOVAKIA & TREBISOV



# SAUNA HINGE F/WOODEN DOORS - PIN MOUNTING

## Model „BELARUS“

Opening: 180 degrees.

Load capacity: 20 kg per hinge.

### One hinge consists of

2 steel cylinders  $\varnothing 15$  mm

w/ M8 x 40 mm pins for door frame mounting. c/c 44 mm.

1 steel cylinder  $\varnothing 15$  mm

w/ M8 x 50 mm pin for door mounting.

1 stainless steel connecting pin.

2 plastic bushings.

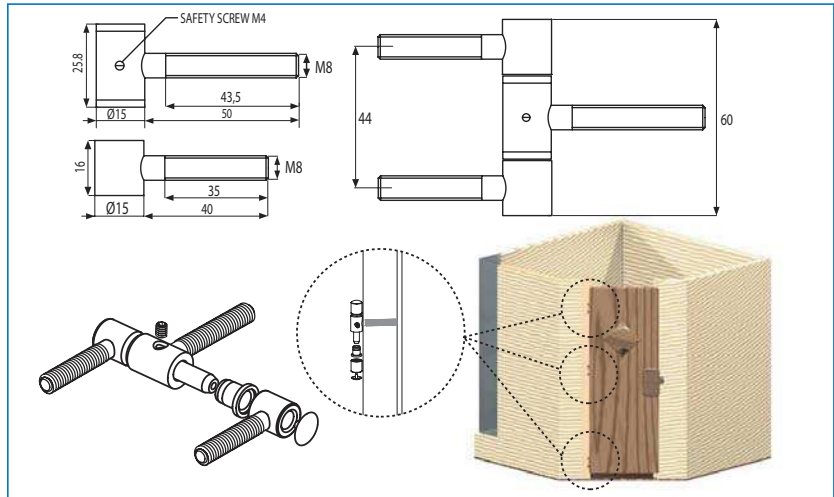
2 plastic cover caps.

1 safety screw M4.

### Colour

Brown powder painted # 15.25.080

(other colours on request)



# SAUNA HINGE F/WOODEN DOORS W/MOUNTING PLATE

## Model „ESTI“

Opening: 180 degrees.

Load capacity: 20 kg per hinge.

### One hinge consists of

1 zamak mounting plate 15 x 84 mm.

3 CSK screw holes  $\varnothing 5$  mm. c/c 70 mm.

1 steel cylinder  $\varnothing 15$  mm w/ M8 x 50 mm pin for door mounting.

1 stainless steel connecting pin.

2 plastic bushings.

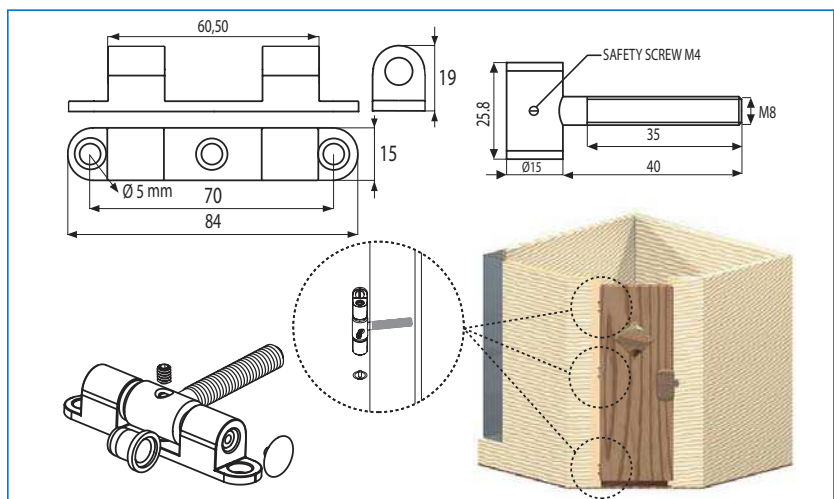
2 plastic cover caps.

1 safety screw M4.

### Colour

Brown powder painted # 15.25.070

(other colours on request)



# SAUNA HINGE F/GLASS DOORS - CRANKED

## Model „SUOMI“

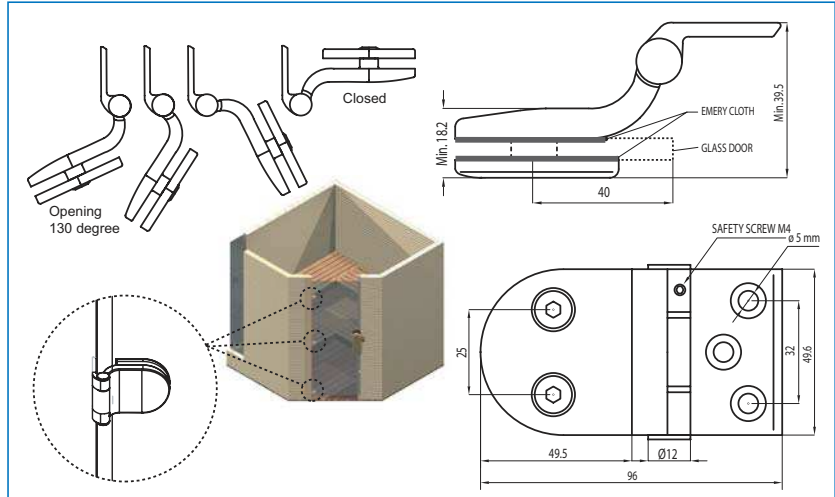
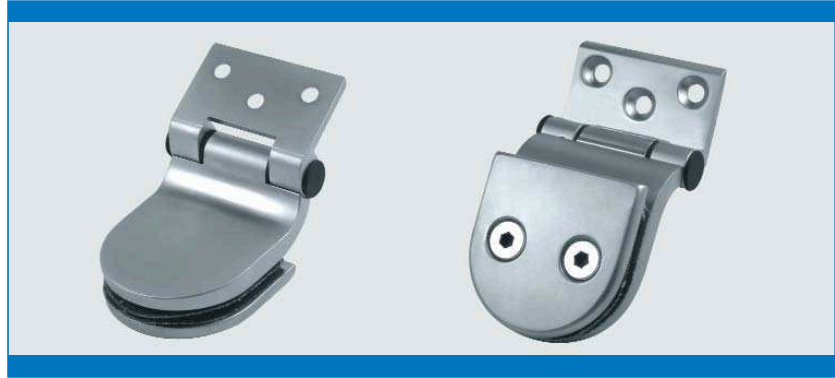
Opening: 130 degrees.  
Load capacity: 20 kg per hinge.  
Glass thickness: 6-8 mm.  
Max glass width: 1000 mm.  
2 bore holes  $\varnothing$  12 mm for extra safety.  
40 mm distance from centre of bore hole to edge of glass door.

### One hinge consists of

1 zamak mounting plate 25 x 50 mm.  
w/3 CSK screw holes  $\varnothing$  5 mm.  
c/c 32mm.  
1 zamak hinge body 49,5 x 49,5 mm.  
1 stainless steel connecting pin.  
2 plastic bushings.  
1 safety screw M4.  
2 stainless steel tightening screws  
M8 x 20 mm. c/c 25 mm.

### Item No.

Brown powder painted # 15.25.060  
Chrome plated # 15.25.061  
Aluminium finish # 15.25.062  
Satin nickel plated # 15.25.063  
White powder painted # 15.25.064



# SAUNA DOOR CATCH

## Model „UKRAINE“

### Size

85 x 41 mm

### Material

Zamak house & stainless steel spring

### Pulling power

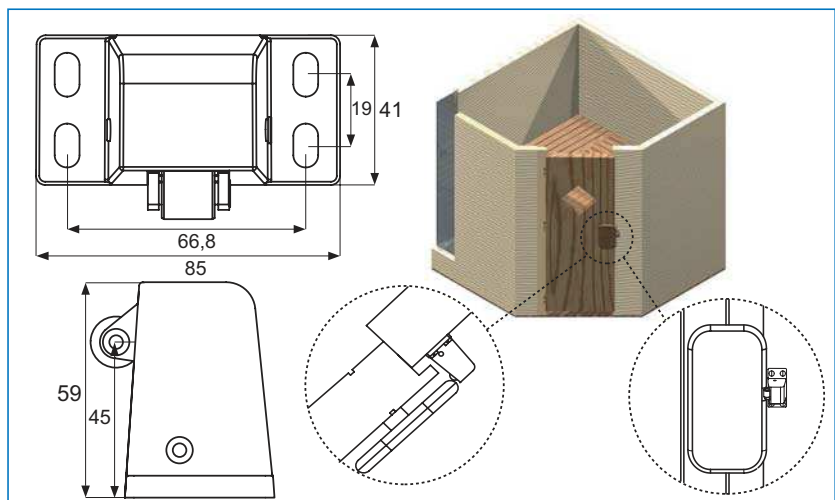
13 -15 kg.

### Colour

Brown powder painted  
(other colours on request)

### Item No.

Brown powder painted # 15.25.020  
Chrome plated # 15.25.021  
Aluminium finish # 15.25.022  
Satin nickel plated # 15.25.023  
White powder painted # 15.25.024



# SAUNA DOOR CATCH ROLLER W/STRENGHT ADJUSTMENT FUNCTION

**Model „DANIA“**

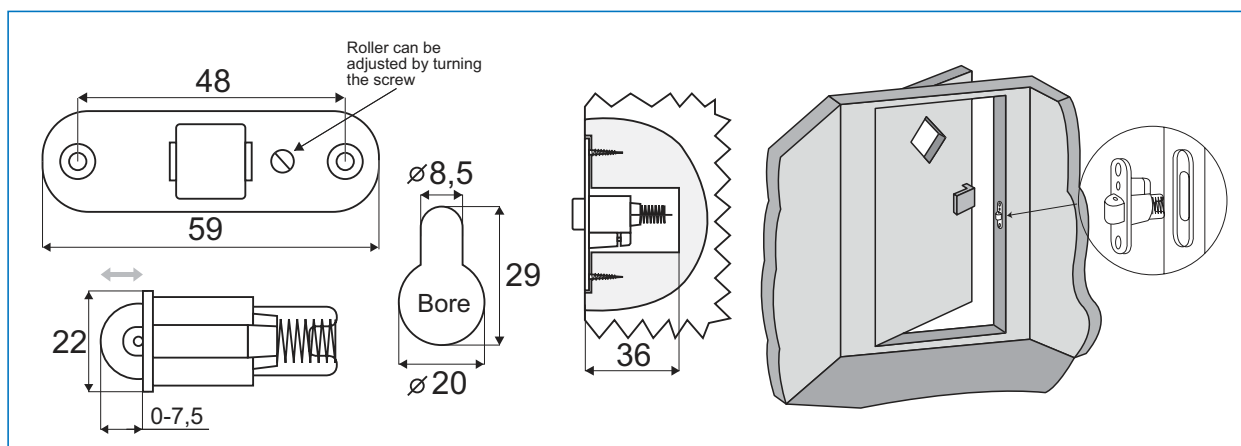
**Application**  
For sauna doors

**Mounting**  
Inset hole 29 x 36 mm c.c. 48 mm

**Material**  
Zamak housing & plastic roller

**Function**  
By turning in the screw the depth of the roller can be adjusted from 0 - 7,5 mm

**Item No.**  
Brown # 15.25.031  
Chrome plated # 15.25.030



## MAGNET SCREW WITH 14 MM HEX HEAD

**MAGNET SCREW  
WITH 14 MM HEX HEAD**

**Size** M6 x 22 mm  
**Material** Steel  
**Finish** Nickel plated  
**Pulling power** 9,5 kg  
**Item No.** #15.25.010

**CATCH PLATE:**

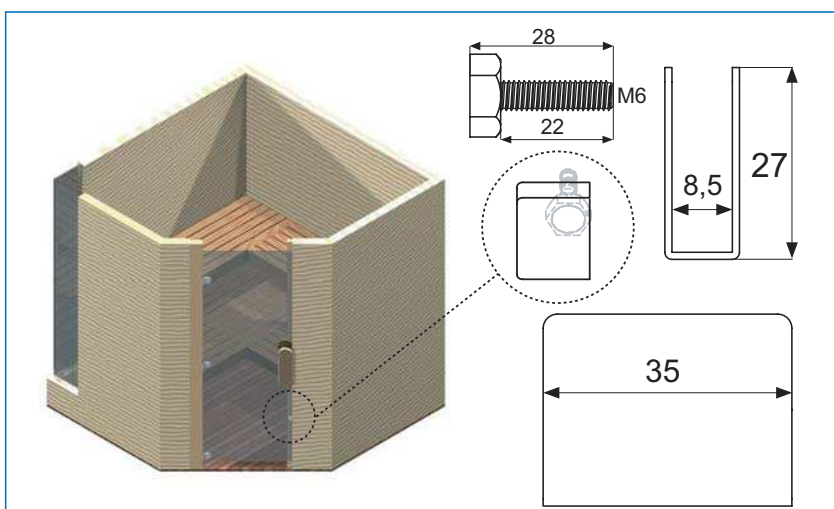
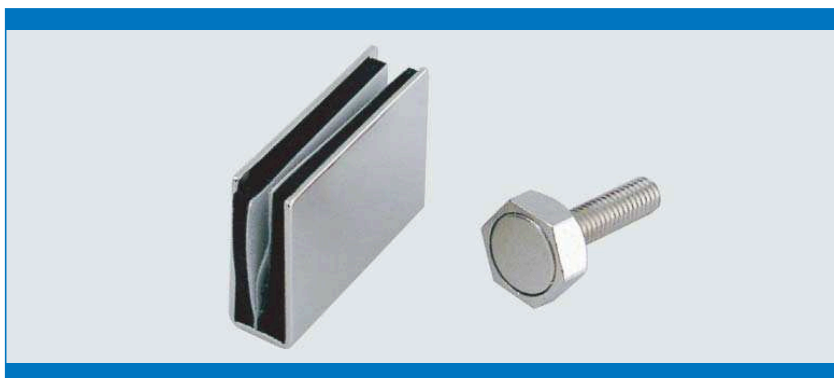
**Size** 35 x 27 mm.  
**Material** Steel

**Finish**

W/1 mm cushion for 8 mm glass thickness:  
Aluminium look # 15.25.013  
Nickel plated # 15.25.015  
Chrome plated # 15.25.017

**Finish**

W/2 mm cushion for 6 mm glass thickness:  
Aluminium look # 15.25.014  
Nickel plated # 15.25.016  
Chrome plated # 15.25.018



## SHOWER DOOR HINGE „TEX“

### Application

Suitable for glass door/shower doors  
 Drilling/cutting required  
 W/angle adjustment function  
 W/25° return function (self-centering)

**Opening:** 90°

**Max glass width:** 800 mm

**Load capacity:** 18 kg per hinge

**Glass thickness:** 6-10 mm

### Material

Brass

### 1 hinge consists of

- 1 hinge 90 x 55 mm
- 1 mounting plate 4 x 90 x 50 mm
- 2 hex screws 4 mm
- 1 L-shaped 4 mm hex key
- 2 transparent cushions 1 mm thickness
- 2 transparent cushions 1,5 mm thickness
- 2 screws w/2,5 mm hex
- 1 L-shaped hex key 2,5 mm
- 4 wall plugs
- 4 wall screws
- 1 drilling/cutting template

### Finish

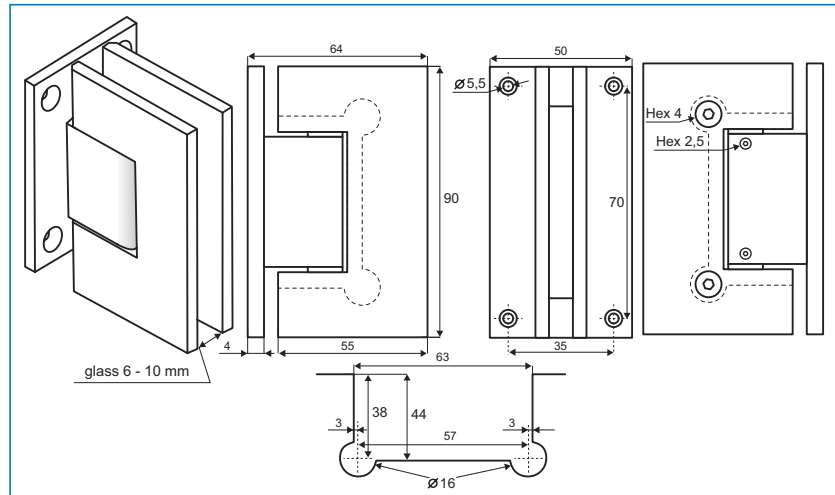
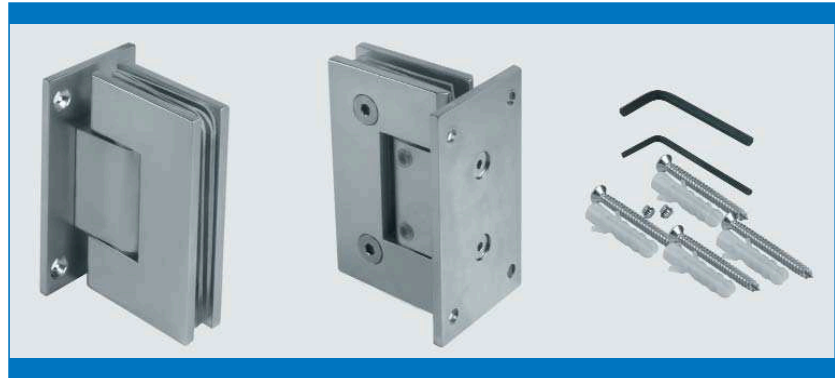
SS-look # 15.24.000

Chrome plated # 15.24.002

Alu-finish # 15.24.001

### Packing

20 pcs per carton



## SHOWER DOOR HINGE „TEX“ W/OFF CENTRE MOUNTING PLATE

### Application

Suitable for glass door/shower doors  
 Drilling/cutting required  
 W/angle adjustment function  
 W/25° return function (self-centering)

**Opening:** 90°

**Max glass width:** 800 mm

**Load capacity:** 18 kg per hinge

**Glass thickness:** 6-10 mm

### Material

Brass

### 1 hinge consists of

- 1 hinge 90 x 55 mm
- 1 mounting plate 4 x 90 x 50 mm
- 2 hex screws 4 mm
- 1 L-shaped 4 mm hex key
- 2 transparent cushions 1 mm thickness
- 2 transparent cushions 1,5 mm thickness
- 2 screws w/2,5 mm hex
- 1 L-shaped hex key 2,5 mm
- 3 wall plugs
- 3 wall screws
- 1 drilling/cutting template

### Finish

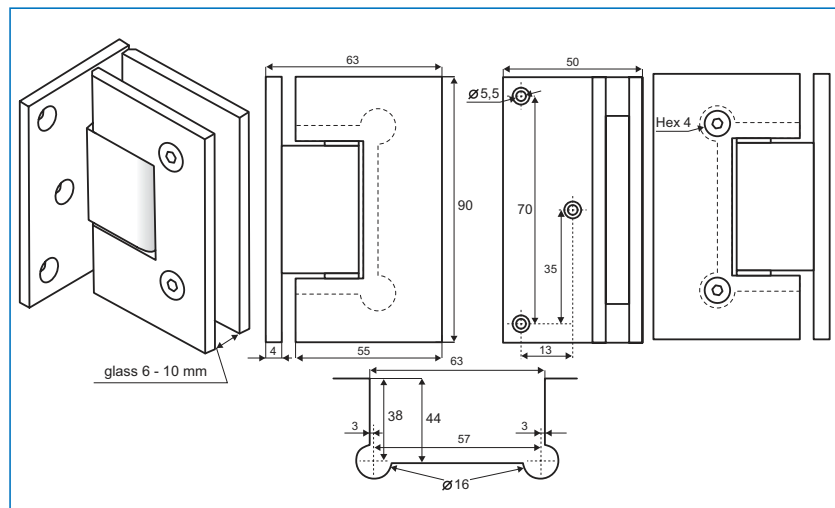
SS-look # 15.24.010

Alu-finish # 15.24.011

Chrome plated # 15.24.012

### Packing

20 pcs per carton



# SHOWER DOOR HINGE „TEX“

## GLASS TO GLASS 180°

### Application

Suitable for glass door/shower doors  
 Drilling/cutting required  
 W/angle adjustment function  
 W/25° return function (self-centering)  
**Opening: 180°**  
**Max glass width: 800 mm**  
**Load capacity: 18 kg per hinge**  
**Glass thickness: 6 - 10 mm**

### Material

Brass

### 1 hinge consists of

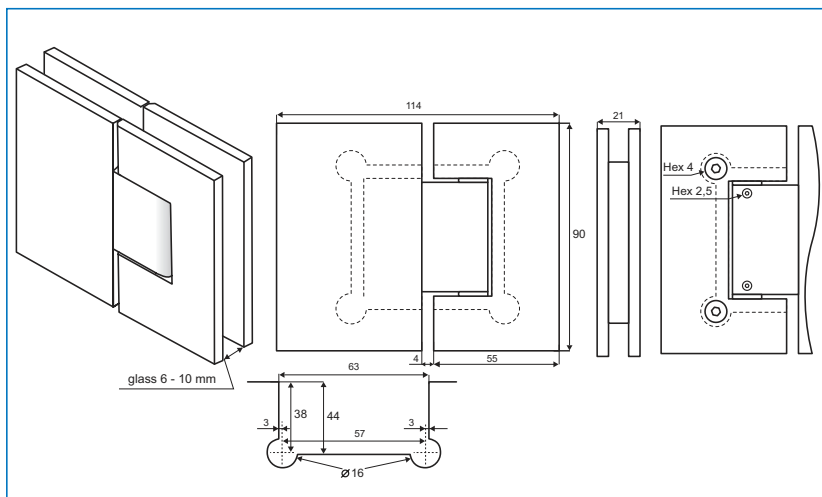
1 hinge 90 x 55 mm  
 1 glass wall fixing plate 90 x 55 mm  
 4 hex screws 4 mm  
 1 L-shaped 4 mm hex key  
 4 transparent cushions 1 mm thickness  
 4 transparent cushions 1,5 mm thickness  
 2 screws w/2,5 mm hex  
 1 L-shaped hex key 2,5 mm  
 1 drilling/cutting template

### Finish

SS-look # 15.24.005  
 Alu-finish # 15.24.006  
 Chrome plated # 15.24.007

### Packing

10 pcs per carton



# SHOWER DOOR HINGE „CPH“

### Application

Suitable for glass door/shower doors  
 Drilling/cutting required  
 W/angle adjustment function  
 W/25° return function (self-centering)

**Opening: 90°**

**Max glass width: 800 mm**

**Load capacity: 18 kg per hinge**

**Glass thickness: 6-10 mm**

### Material

Brass

### 1 hinge consists of

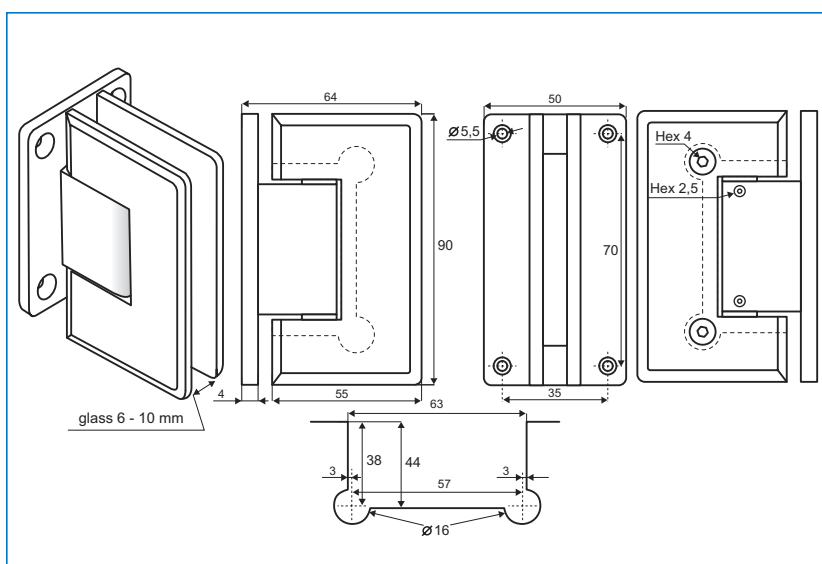
1 hinge 90 x 55 mm  
 1 mounting plate 4 x 90 x 50 mm  
 2 hex screws 4 mm  
 1 L-shaped 4 mm hex key  
 2 transparent cushions 1 mm thickness  
 4 transparent cushions 1,5 mm thickness  
 2 screws w/2,5 mm hex  
 1 L-shaped hex key 2,5 mm  
 4 wall plugs & 4 wall screws  
 1 drilling/cutting template

### Finish

SS-look # 15.23.811  
 Chrome plated # 15.23.810  
 Alu-finish # 15.23.812

### Packing

20 pcs per carton





# SHOWER DOOR HINGE „ZUG“ W/OFF CENTRE MOUNTING PLATE



## Application

Suitable for glass door/shower doors  
Drilling/cutting required  
W/angle adjustment function  
W/25° return function (self-centering)

**Opening:** 90°

**Max glass width:** 800 mm

**Load capacity:** 18 kg per hinge

**Glass thickness:** 6-10 mm

## Material

Brass

## 1 hinge consists of

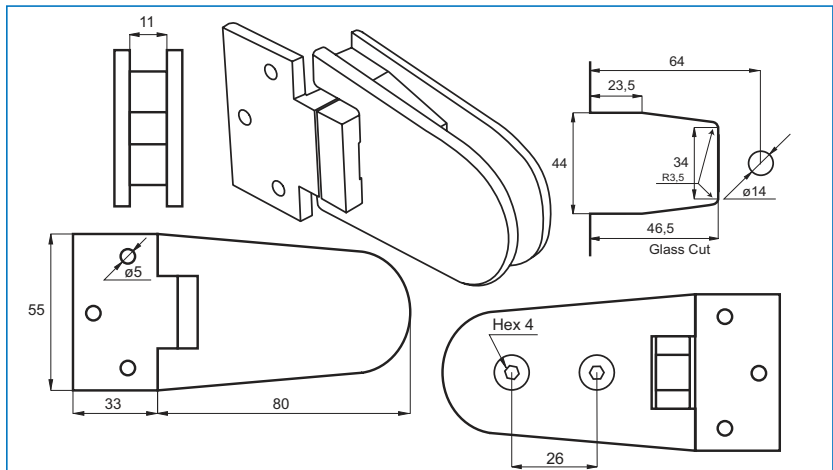
- 1 hinge 55 x 80 mm
- 1 mounting plate 33 x 55 mm
- 2 fixing screws 4 mm hex
- 1 L-shaped 4 mm hex key
- 2 transparent cushions 1 mm thickness
- 2 transparent cushions 1,5 mm thickness
- 1 angle adjustment screws w/3 mm hex
- 1 L-shaped hex key 3 mm
- 3 wall plugs & 3 wall screws
- 1 drilling/cutting template

## Finish

Chrome plated # 15.23.010

## Packing

20 pcs per carton



# SHOWER DOOR HINGE „LINZ“ W/OFF CENTRE MOUNTING PLATE

## Application

Suitable for glass door/shower doors  
Drilling/cutting required  
W/angle adjustment function  
W/25° return function (self-centering)

**Opening:** 90°

**Max glass width:** 800 mm

**Load capacity:** 18 kg per hinge

**Glass thickness:** 6-10 mm

## Material

Brass

## 1 hinge consists of

- 1 hinge 55 x 112 mm
- 1 mounting plate 33 x 55 mm
- 2 fixing screws 4 mm hex
- 1 L-shaped 4 mm hex key
- 2 transparent cushions 1 mm thickness
- 2 transparent cushions 1,5 mm thickness
- 1 angle adjustment screws w/3 mm hex
- 1 L-shaped hex key 3 mm
- 3 wall plugs & 3 wall screws
- 1 drilling/cutting template

## Finish

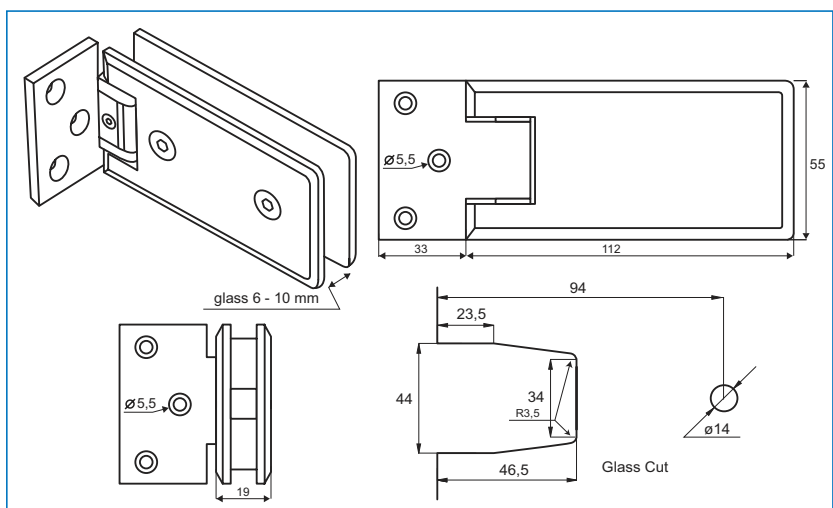
SS-look # 15.23.845

Chrome plated # 15.23.844

Alu-finish # 15.23.846

## Packing

20 pcs per carton



## SHOWER DOOR HINGE „LINZ“ W/CENTRE MOUNTING PLATE

### Application

Suitable for glass door/shower doors  
Drilling/cutting required  
W/angle adjustment function  
W/25° return function (self-centering)

**Opening:** 90°

**Max glass width:** 800 mm

**Load capacity:** 18 kg per hinge

**Glass thickness:** 6-10 mm

### Material

Brass

### 1 hinge consists of

1 hinge 55 x 112 mm  
1 mounting plate 61 x 55 mm  
2 fixing screws 4 mm hex  
1 L-shaped 4 mm hex key  
2 transparent cushions 1 mm thickness  
2 transparent cushions 1,5 mm thickness  
1 angle adjustment screws w/3 mm hex  
1 L-shaped hex key 3 mm  
3 wall plugs & 3 wall screws  
1 drilling/cutting template

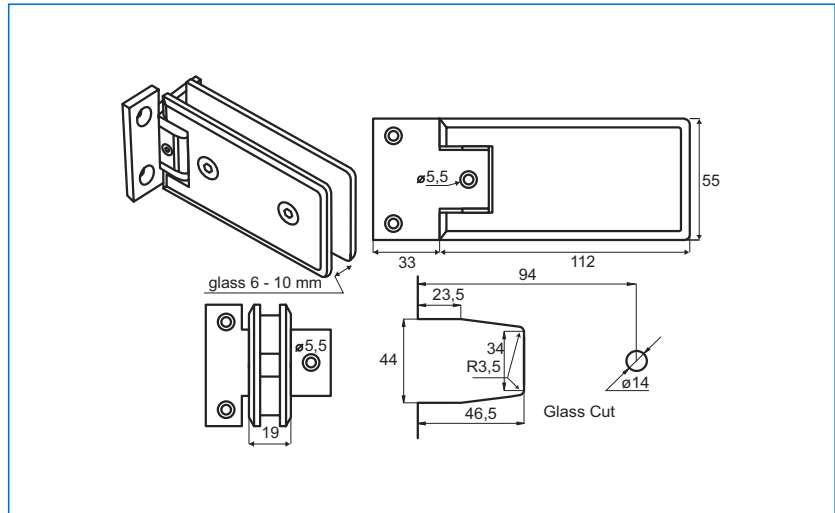
### Finish

SS-look # 15.23.841

Chrome plated # 15.23.840

Alu-finish # 15.23.842

**Packing** 20 pcs per carton



## SHOWER PIVOT HINGE GLASS/GLASS „LODZ“

### Application

Suitable for glass door/shower doors  
Drilling/cutting required  
W/15° return function (self-centering)

### Features

**Opening:** 180°

**Max glass width:** 800 mm

**Load capacity:** 20 kg per hinge

**Glass thickness:** 8 - 10 mm

### Material

Brass

### 1 hinge consists of

1 hinge 50 x 92 x 21 mm (H/W/D)  
4 hex screws 4 mm  
1 L-shaped 4 mm hex key  
4 transparent cushions 1 mm thickness  
4 transparent cushions 1,5 mm thickness  
1 drilling/cutting template

### Finish

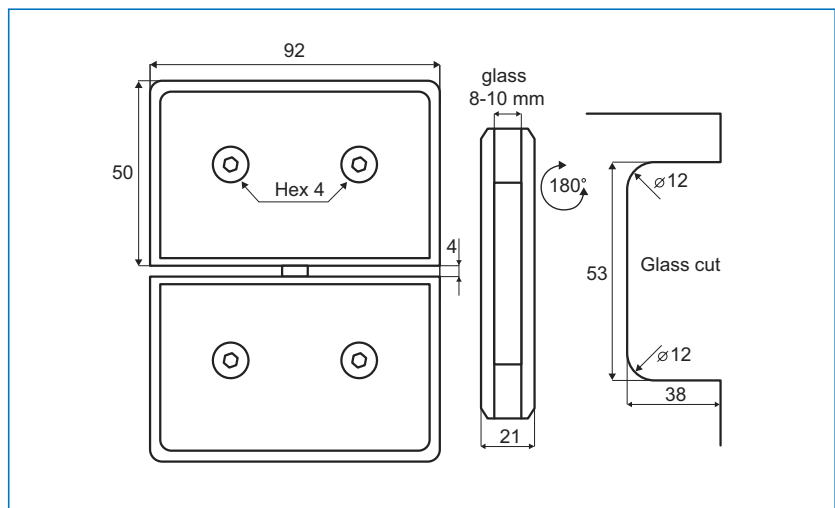
SS-look # 15.23.905

Alu-finish # 15.23.906

Chrome plated # 15.23.907

### Packing

10 pcs per carton



# SHOWER PIVOT HINGE FLOOR/GLASS „LODZ“

## Application

Suitable for glass door/shower doors  
Top or bottom mounting,  
drilling/cutting required  
W/15° return function (self-centering)

**Opening:** 180°

**Max glass width:** 800 mm

**Load capacity:** 20 kg per hinge

**Glass thickness:** 8-10 mm

## Material

Brass

## 1 hinge consists of

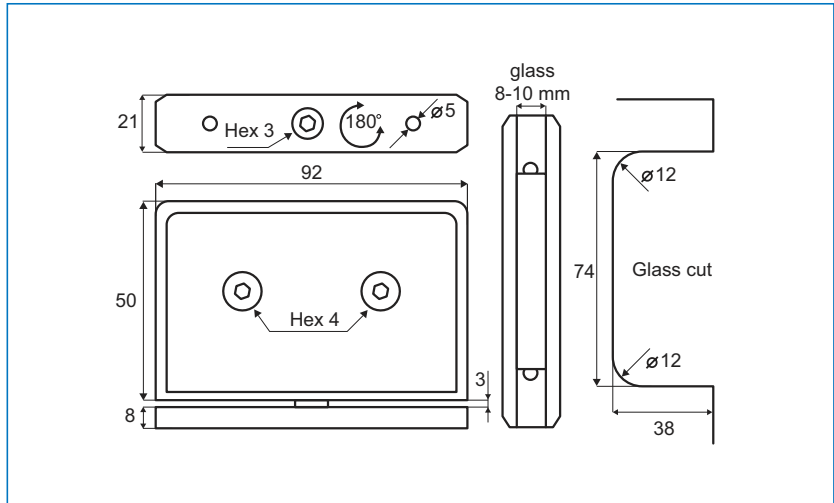
- 1 hinge 50 x 92 x 21 mm (H/W/D)
- 2 hex screws 4 mm
- 1 L-shaped 4 mm hex key
- 2 transparent cushions 1 mm thickness
- 2 transparent cushions 1,5 mm thickness
- 2 wall plugs
- 2 wall screws
- 1 drilling/cutting template

## Finish

- SS-look # 15.23.900
- Alu-finish # 15.23.901
- Chrome plated # 15.23.902

## Packing

10 pcs per carton



# GLASS CLAMP GLASS/GLASS 180° W/SQUARE CORNERS „BERN“

## Application

Suitable for shower glass walls  
Drilling required

## Features

Glass thickness: 8 - 10 mm

## Mounting

Glass Ø12 mm drilling

## Material

Brass

## 1 clamp consists of

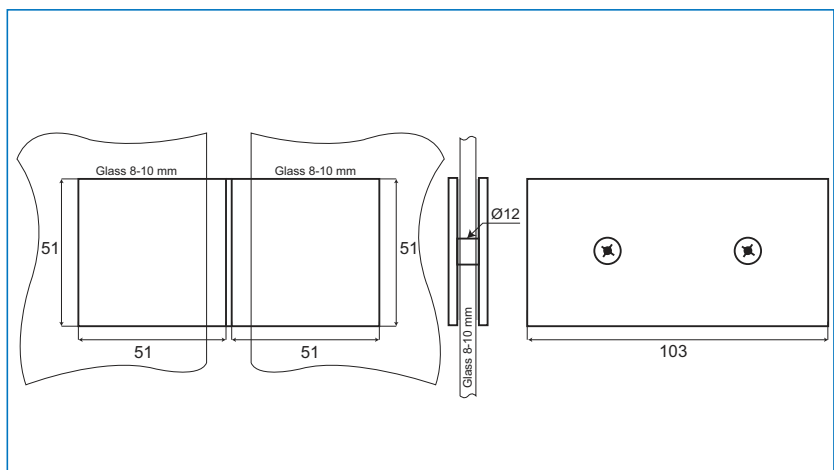
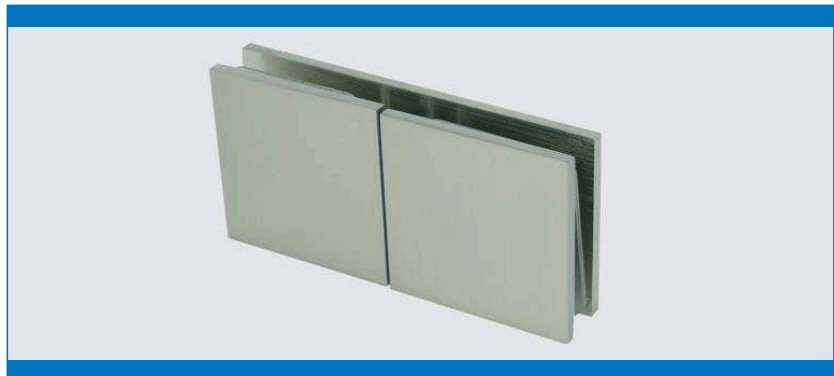
- 1 clamp 103 x 51 x 17 mm (H/W/D)
- 2 fixing PZD screws
- 4 transparent cushions 1 mm thickness
- 2 transparent tubes Ø12 x 8 mm

## Finish

- Chrome plated # 15.23.695
- SS-look # 15.23.696
- Alu-finish # 15.23.697

## Packing

50 pcs per carton



## GLASS CLAMP GLASS/GLASS 90° W/SQUARE CORNERS „BERN“

### Application

Suitable for shower glass walls  
Drilling required

### Features

Glass thickness: 8 - 10 mm

### Mounting

Glass  $\varnothing 12$  mm drilling

### Material

Brass

### 1 clamp consists of

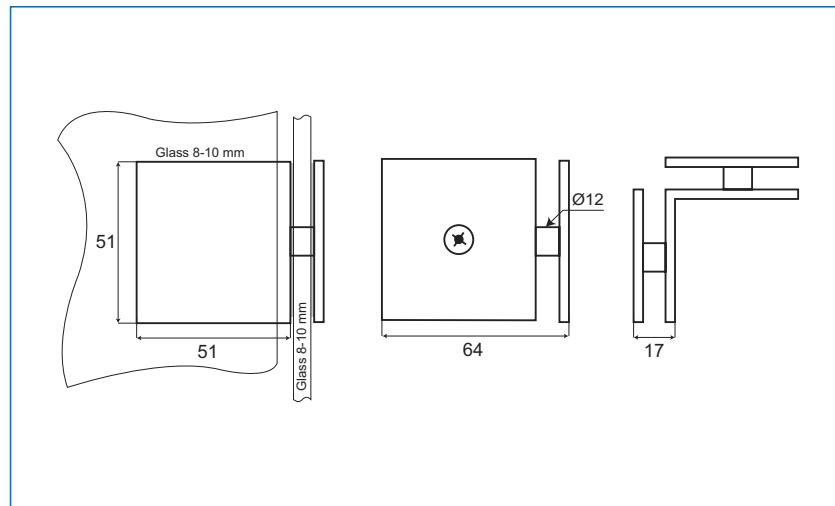
- 1 clamp 51 x 51 x 17 mm (H/W/D)
- 2 fixing PZD screws
- 4 transparent cushions 1 mm thickness
- 2 transparent tubes  $\varnothing 12 \times 8$  mm

### Finish

- Chrome plated # 15.23.690
- SS-look # 15.23.691
- Alu-finish # 15.23.692

### Packing

20 pcs per carton



## GLASS CLAMP WALL/GLASS 180° W/SQUARE CORNERS „BERN“

### Application

Suitable for shower glass walls  
Drilling required

### Features

Glass thickness 8 - 10 mm

### Mounting

Wall 2 x  $\varnothing 5$  mm CSK screw holes  
Glass  $\varnothing 12$  mm drilling

### Material

Brass

### 1 clamp consists of

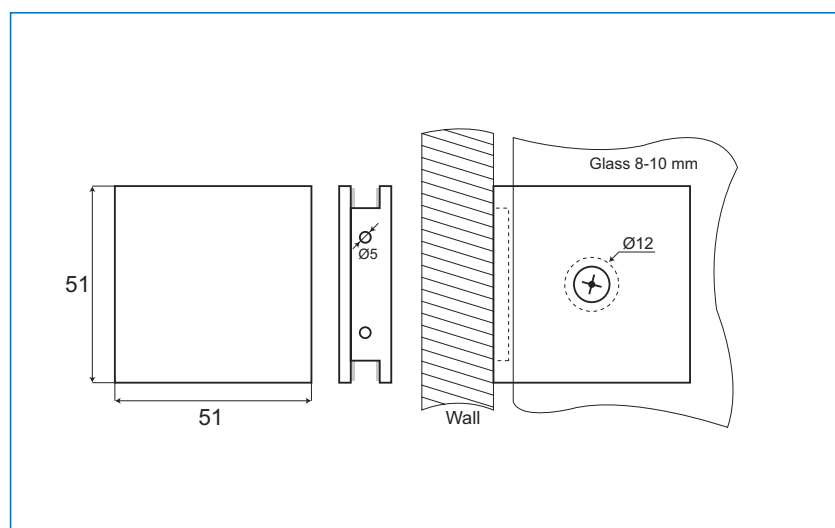
- 1 clamp 51 x 51 x 17 mm (H/W/D)
- 1 fixing PZD screws
- 2 transparent cushions 1 mm thickness
- 1 transparent tube  $\varnothing 12 \times 8$  mm
- 2 wall plugs
- 2 wall screws

### Finish

- Chrome plated # 15.23.706
- SS-look # 15.23.705
- Alu-finish # 15.23.704

### Packing

60 pcs per carton



# GLASS CLAMP WALL/GLASS 90° W/SQUARE CORNERS „BERN“

## Application

Suitable for shower glass walls  
Drilling required

## Features

Glass thickness 8 - 10 mm

## Mounting

Wall: 1 x  $\varnothing 5$  mm CSK screw holes  
Glass:  $\varnothing 12$  mm drilling

## Material

Brass

## 1 clamp consists of

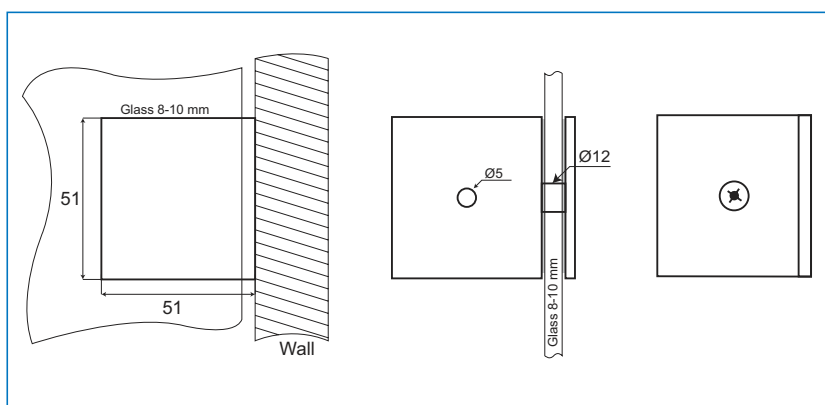
- 1 clamp 51 x 51 x 17 mm (H/W/D)
- 1 fixing PZD screws
- 2 transparent cushions 1 mm thickness
- 1 transparent tube  $\varnothing 12$  x 8 mm
- 1 wall plug
- 1 wall screw

## Finish

- Chrome plated # 15.23.700
- SS-look # 15.23.701
- Alu-finish # 15.23.702

## Packing

20 pcs per carton



# GLASS GLAMP WALL/GLASS 90° W/ROUNDED CORNERS „HAM“

## Application

Suitable for shower glass walls  
Drilling required

## Features

Glass thickness 8-10 mm  
90° angle

## Mounting

Wall: 1 x  $\varnothing 5$  mm CSK screw holes  
Glass:  $\varnothing 12$  mm drilling

## Material

Brass

## 1 clamp consists of

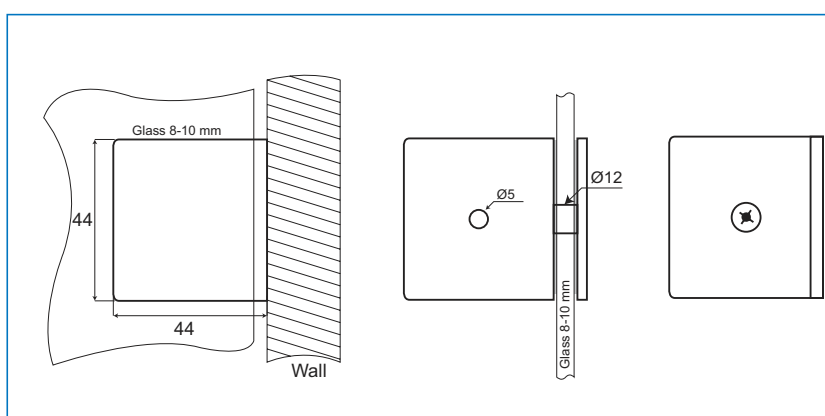
- 1 clamp 44 x 44 x 18 (H/W/D)
- 1 fixing PZD screws
- 4 transparent cushions 1 mm thickness
- 1 wall plug
- 1 wall screw
- 1 transparent tube  $\varnothing 12$  X 8 mm

## Finish

- Chrome plated # 15.23.750

## Packing

40 pcs per carton



## GLASS CLAMP WALL/GLASS 180° W/CHAMFERED EDGES „LUND“

### Application

Suitable for shower glass walls  
Drilling required

### Features

Glass thickness 8 - 10 mm

### Mounting

Wall: 1 x  $\varnothing 5$  mm CSK screw holes  
Glass:  $\varnothing 12$  mm drilling

### Material

Brass

### 1 clamp consists of

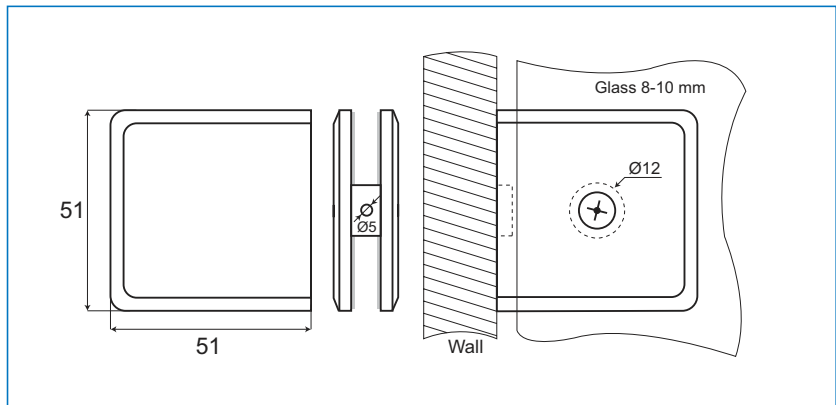
1 clamp 51 x 51 x 17 mm (H/W/D)  
1 fixing PZD screws  
2 transparent cushions 1 mm thickness  
1 transparent tube  $\varnothing 12$  x 8 mm  
1 wall plug  
1 wall screw

### Finish

Chrome plated # 15.23.707  
SS-look # 15.23.708  
Alu-finish # 15.23.709

### Packing

60 pcs per carton



## GLASS CLAMP WALL/GLASS 90° W/CHAMFERED EDGES „LUND“

### Application

Suitable for shower glass walls  
Drilling required

### Features

Glass thickness 8 - 10 mm

### Mounting

Wall: 1 x  $\varnothing 5$  mm CSK screw holes  
Glass:  $\varnothing 12$  mm drilling

### Material

Brass

### 1 clamp consists of

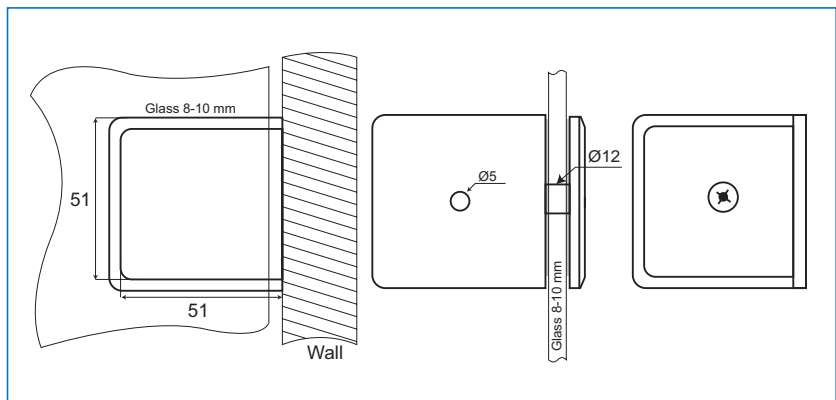
1 clamp 51 x 51 x 17 mm (H/W/D)  
1 fixing PZD screws  
2 transparent cushions 1 mm thickness  
1 transparent tube  $\varnothing 12$  x 8 mm  
1 wall plug  
1 wall screw

### Finish

Chrome plated # 15.23.710  
SS-look # 15.23.711  
Alu-finish # 15.23.712

### Packing

20 pcs per carton



# ALUMINIUM LIFT HINGE

## Application

Suitable for shower doors  
w/lift-up function

Opening 110°

Max glass size 1900 x 800 mm

Load capacity 23 kg

Glass thickness 6 mm

## Material

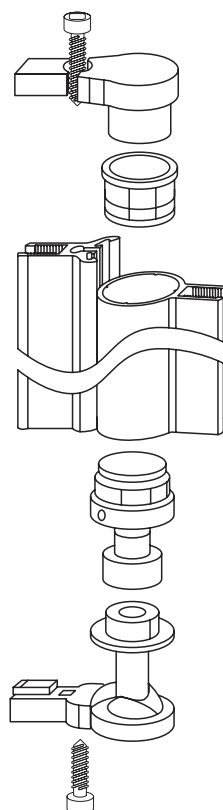
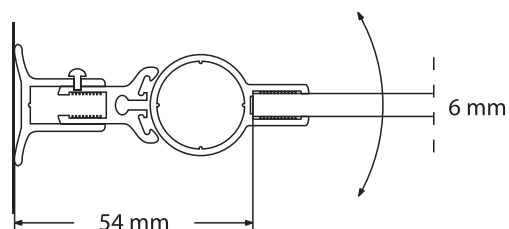
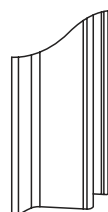
Aluminium

## Models

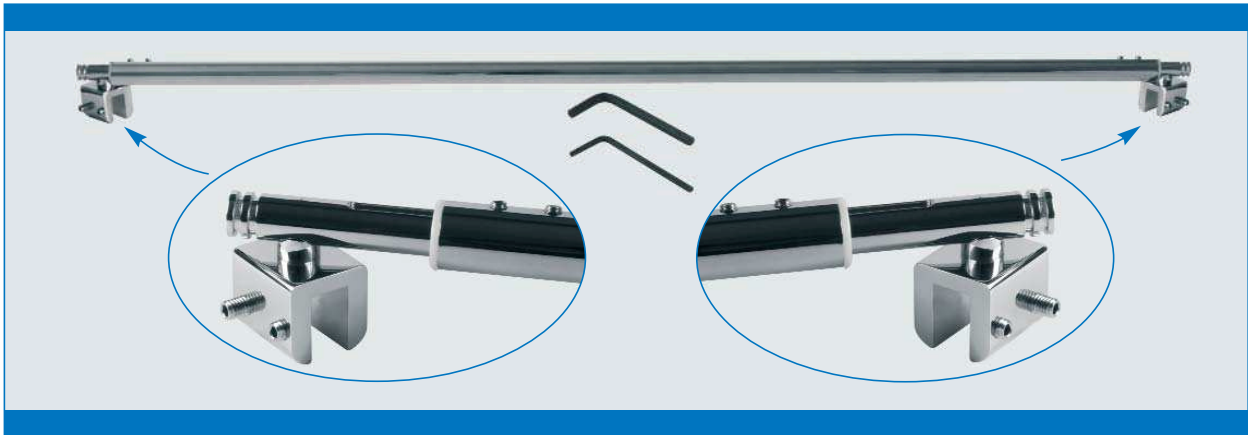
Models	Finish	Item No.
1,5 meters	anodized	# 15.23.005
1,5 meters	chrome pl.	# 15.23.006
1,5 meters	white paint.	# 15.23.007
1,9 meters	anodized	# 15.23.000
1,9 meters	chrome pl.	# 15.23.001
1,9 meters	white paint.	# 15.23.002

## Packing

1 complete  
assembled set per carton



# SHOWER SUPPORT BAR SOLID BRASS - GLASS TO GLASS



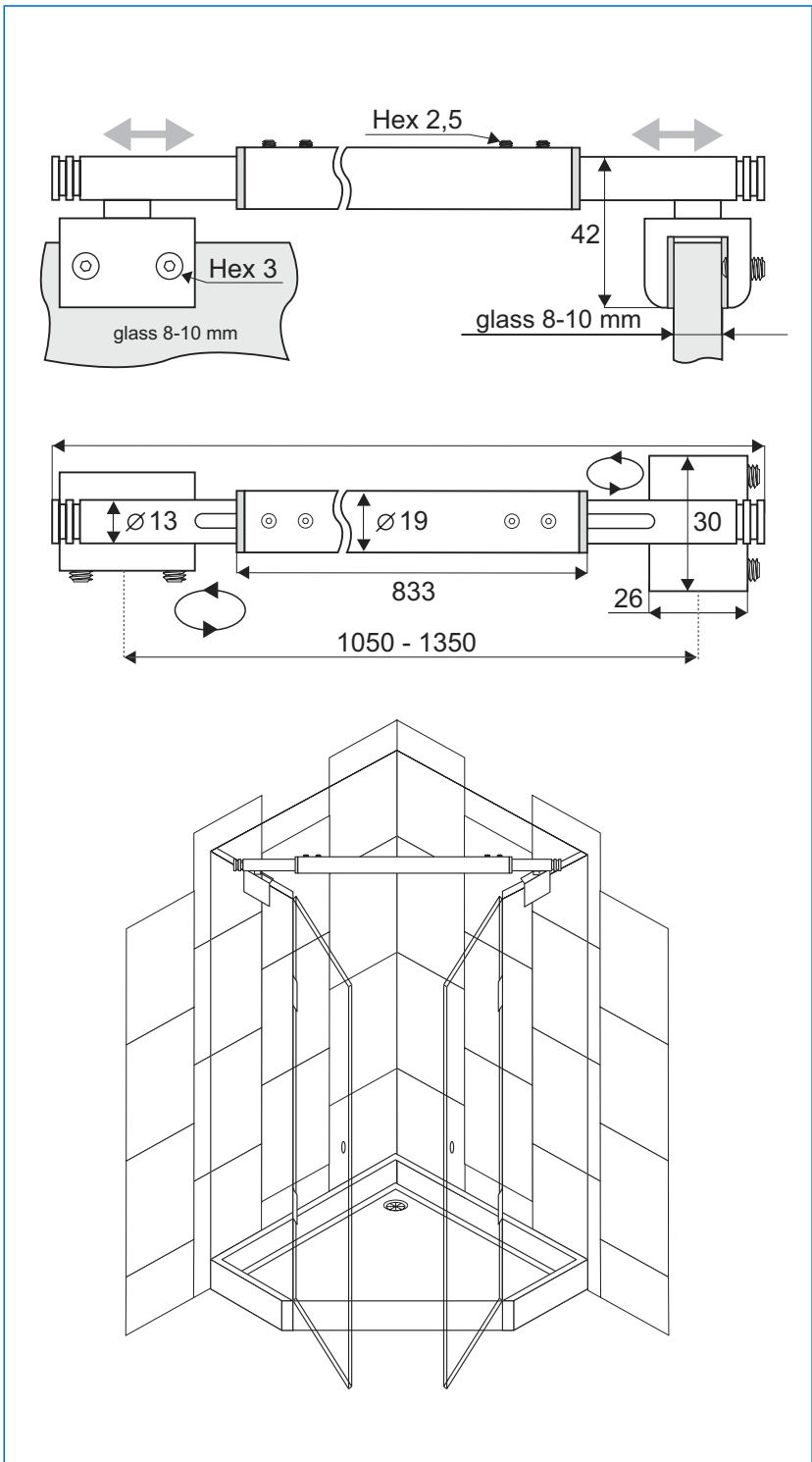
**Application**  
 Suitable for connecting glass to wall.  
 No glass drilling required.  
 Extendable from 1050 - 1350 mm  
 Glass thickness 8 - 10 mm

**Material**  
 Brass

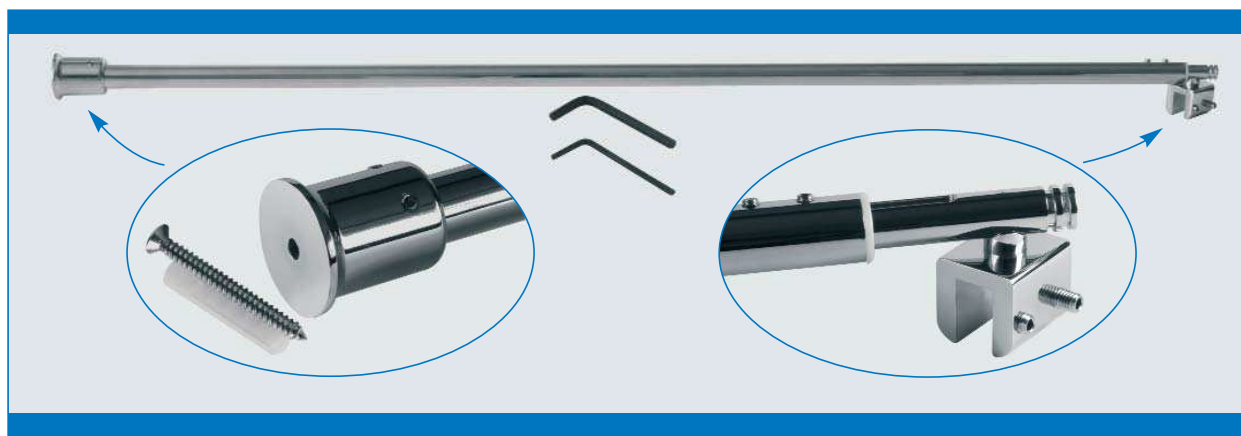
**1 support bar consists of:**  
 1 bar  $\varnothing 19 \times 1050$  to 1350 mm  
 w/2 tightening screws 2,5 mm hex  
 1 L-shaped hex key 2,5 mm  
 2 glass mounting bracket 30 X 26 mm  
 w/2 tightening screws 3 mm hex  
 1 L-shaped hex key 3 mm  
 4 transparent cushions 1 mm thickness

**Finish**  
 Chrome plated # 15.24.021

**Packing**  
 10 pcs per cartoon



# SHOWER SUPPORT BAR SOLID BRASS - WALL TO GLASS



## Application

Suitable for connecting glass to wall.  
No glass drilling required.  
Extendable from 1000 - 1150 mm.  
Glass thickness 8 - 10 mm.

## Material

Brass

## 1 support bar consists of:

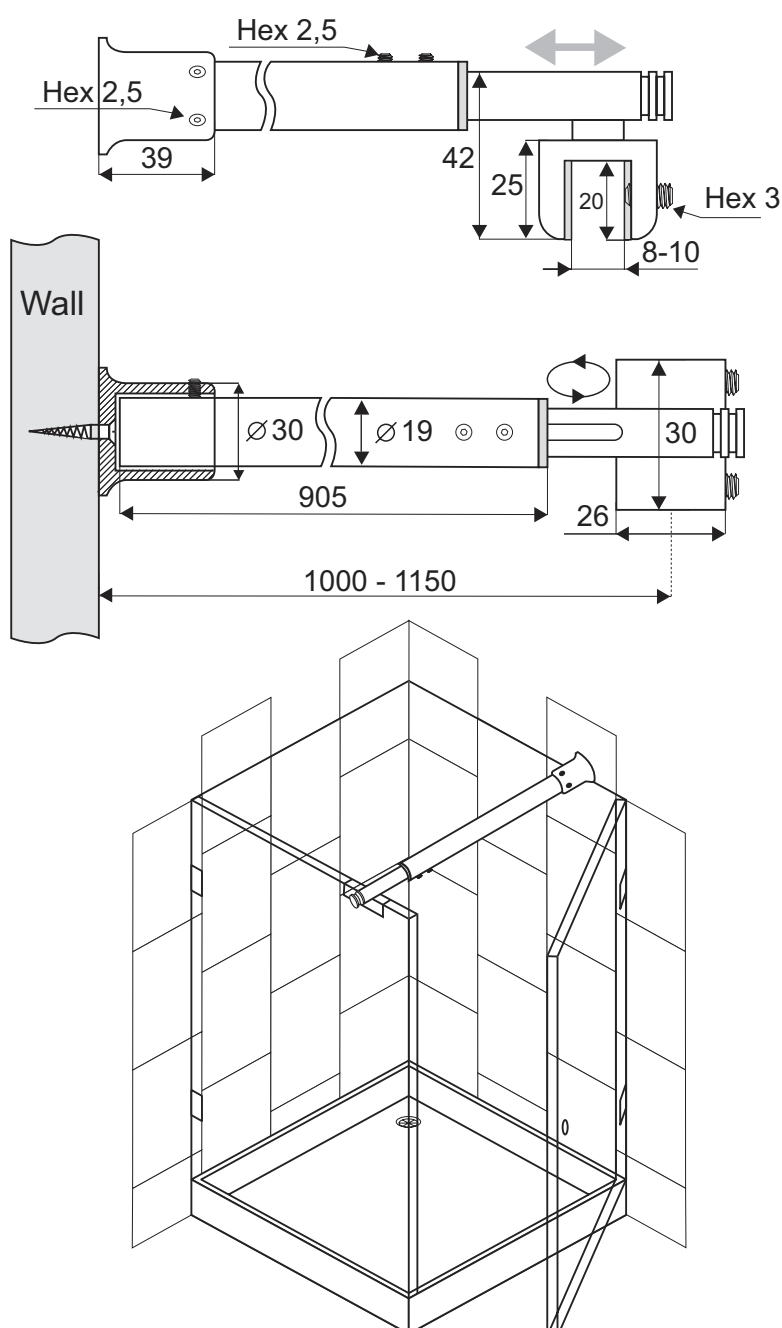
- 1 bar  $\varnothing 19 \times 1000$  to 1150 mm
- w/2 tightening screws 2,5 mm hex
- 1 wall mounting rosette  $\varnothing 37$  mm
- w/2 tightening screws 2,5 mm hex
- 1 L-shaped hex key 2,5 mm
- 1 wall plug
- 1 wall screw
- 1 glass mounting bracket 30 X 26 mm
- w/2 tightening screws 3 mm hex
- 1 L-shaped hex key 3 mm
- 2 transparent cushions 1 mm thickness

## Finish

Chrome plated # 15.24.020

## Packing

10 pcs per cartoon



## BAR TO GLASS BRACKET W/OPEN BAR HOLE

### Application

Connection fitting for shower bars  
No drilling required  
For  $\varnothing 19$  mm bar  
Glass thickness 8 - 10 mm

### Material

Brass

### Finish

Chrome plated # 15.24.103

### Inclusive

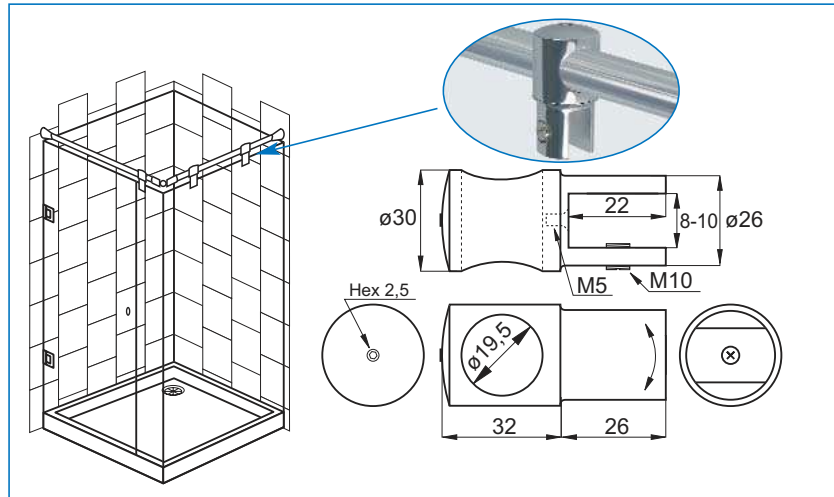
1 hex key 2,5 mm  
1 transparent cushion 1 mm thickness

### Packing

60 pcs per carton

### Optional

Shower bar brass, CPL  
 $\varnothing 19$  x 1000 mm # 15.24.120  
 $\varnothing 19$  x 1300 mm # 15.24.121



## BAR TO GLASS END BRACKET W/CLOSED BAR HOLE

### Application

Connection fitting for shower bars  
No drilling required  
For  $\varnothing 19$  mm bar  
Glass thickness 8 - 10 mm

### Material

Brass

### Finish

Chrome plated # 15.24.102

### Inclusive

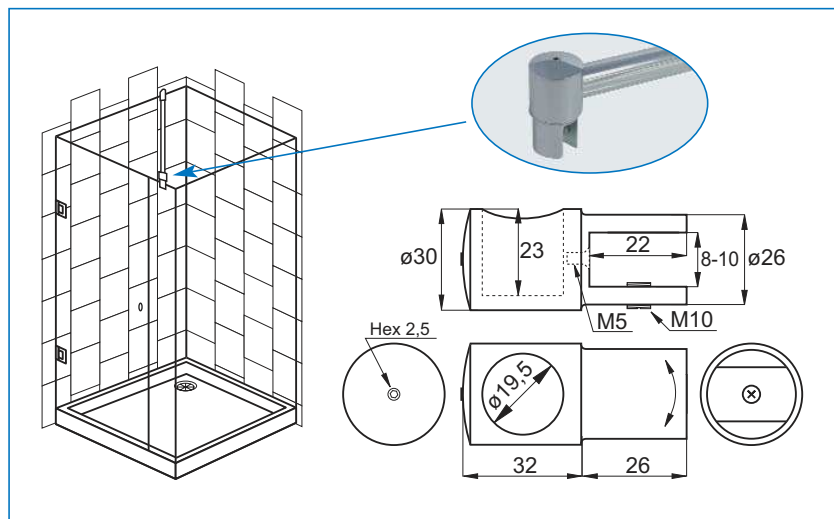
1 hex key 2,5 mm  
1 transparent cushion 1 mm thickness

### Packing

60 pcs per carton

### Optional

Shower bar brass, CPL  
 $\varnothing 19$  x 1000 mm # 15.24.120  
 $\varnothing 19$  x 1300 mm # 15.24.121



# BAR TO WALL BRACKET W/45° ANGLE

## Application

Connection fitting for shower bars  
No drilling required  
For  $\varnothing 19$  mm bar

## Material

Brass

## Finish

Chrome plated # 15.24.101

## Inclusive

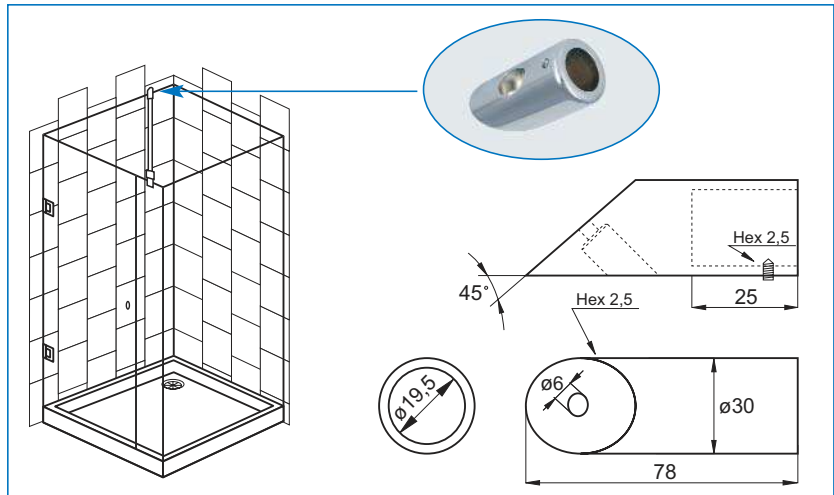
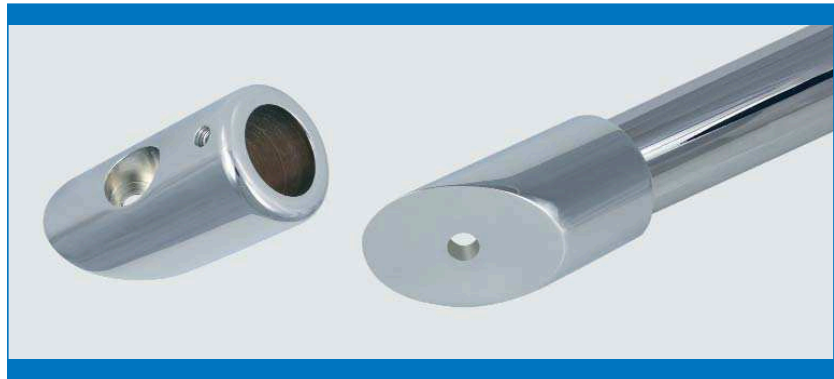
1 hex key 2,5 mm  
1 wall plug  
1 wall screw

## Packing

60 pcs per carton

## Optional

Shower bar brass, CPL  
 $\varnothing 19 \times 1000$  mm # 15.24.120  
 $\varnothing 19 \times 1300$  mm # 15.24.121



# BAR TO WALL BRACKET W/FLAT BACK

## Application

Connection fitting for shower bars  
No drilling required  
For  $\varnothing 19$  mm bar

## Material

Brass

## Finish

Chrome plated # 15.24.100

## Inclusive

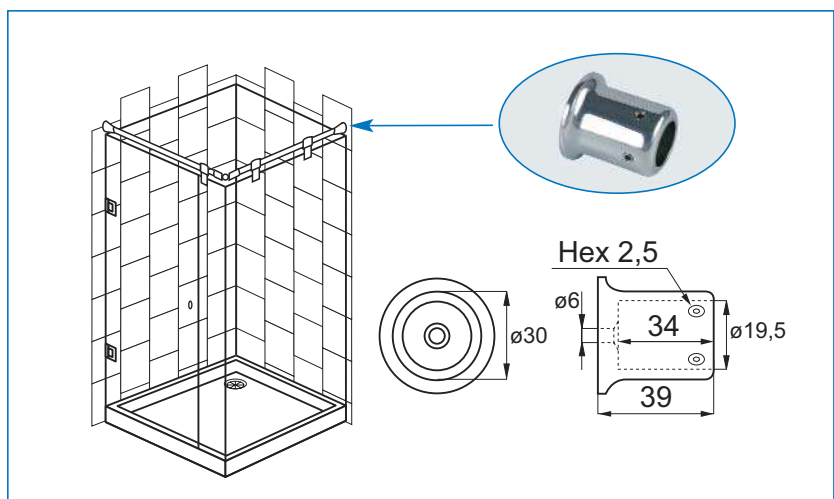
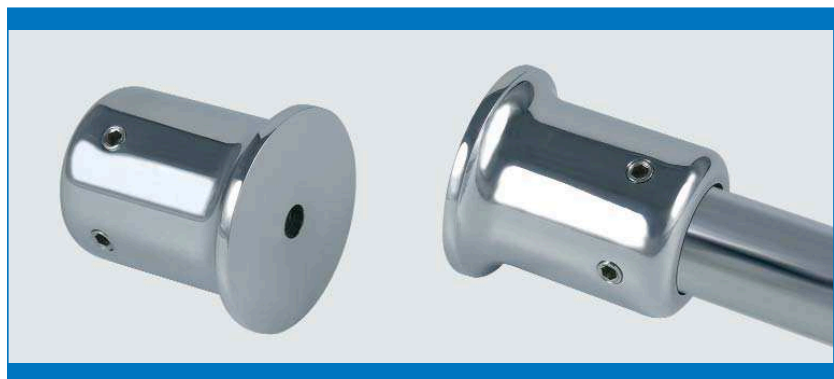
1 hex key 2,5 mm  
1 wall plug  
1 wall screw

## Packing

60 pcs per carton

## Optional

Shower bar brass, CPL  
 $\varnothing 19 \times 1000$  mm # 15.24.120  
 $\varnothing 19 \times 1300$  mm # 15.24.121



# BAR TO BAR BRACKET T-SHAPED F/3 BAR CONNECTION

### Application

Connection fitting for shower bars  
No drilling required  
For  $\varnothing 19$  mm bar  
90 degree connection

### Material

Brass

### Finish

Chrome plated # 15.24.105

### Inclusive

1 hex key 2,5 mm

### Packing

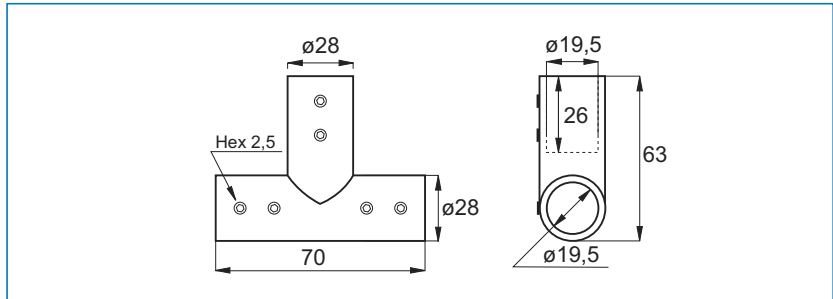
10 pcs per carton

### Optional

Shower bar brass, CPL

$\varnothing 19$  x 1000 mm # 15.24.120

$\varnothing 19$  x 1300 mm # 15.24.121



## BAR TO BAR BRACKET W/SWIVEL LINKAGE

### Application

Connection fitting for shower bars  
No drilling required  
For  $\varnothing 19$  mm bar  
Adjusted to any degree

### Material

Brass

### Finish

Chrome plated # 15.24.104

### Inclusive

1 hex key 2,5 mm

1 hex key 5 mm

### Packing

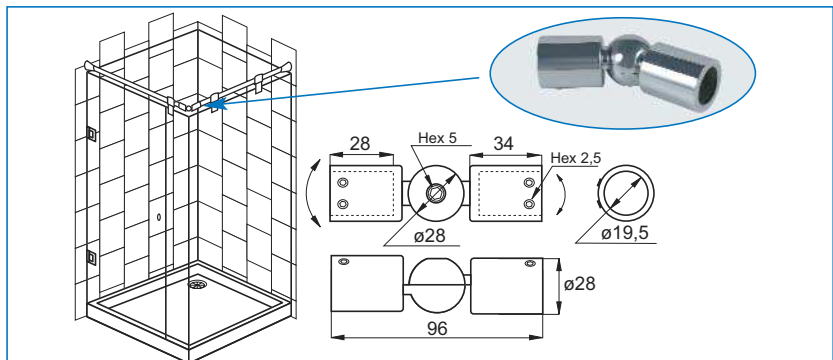
20 pcs per carton

### Optional

Shower bar brass, CPL

$\varnothing 19$  x 1000 mm # 15.24.120

$\varnothing 19$  x 1300 mm # 15.24.121



## DOOR KNOB „HAAG“

### Material

Brass

Size:  $\varnothing 28$  x 31 mm

Bore hole:  $\varnothing 10$  mm

Glass thickness: 6 - 12 mm

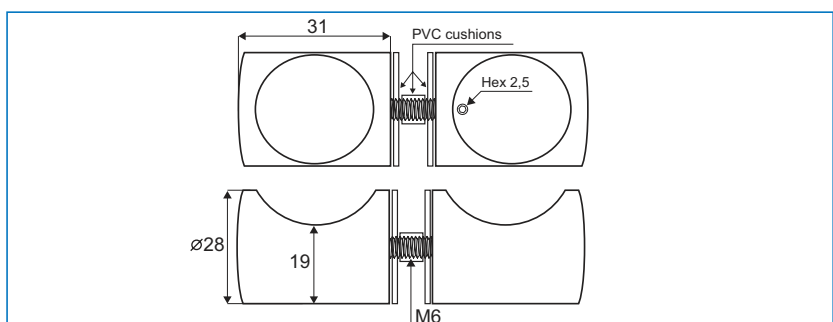
SS-look # 15.24.030

Chrome plated # 15.24.031

Alu-finish # 15.24.032

### Packing

60 pairs per carton



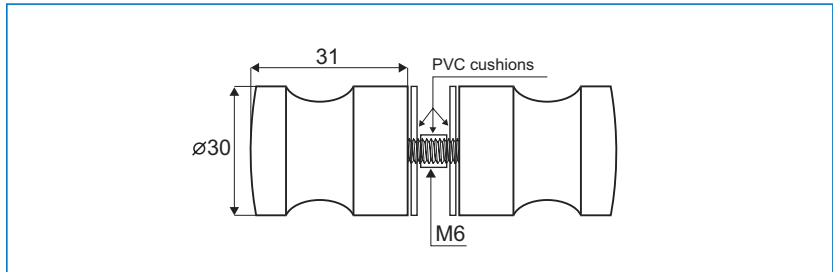
# DOOR KNOB „WIEN“

**Material**  
Brass

**Size:**  $\varnothing 30 \times 31$  mm  
**Bore hole:**  $\varnothing 10$  mm  
**Glass thickness:** 6 - 12 mm

SS-look # 15.24.046  
Chrome plated # 15.24.045  
Alu-finish # 15.24.047

**Packing**  
60 pairs per carton



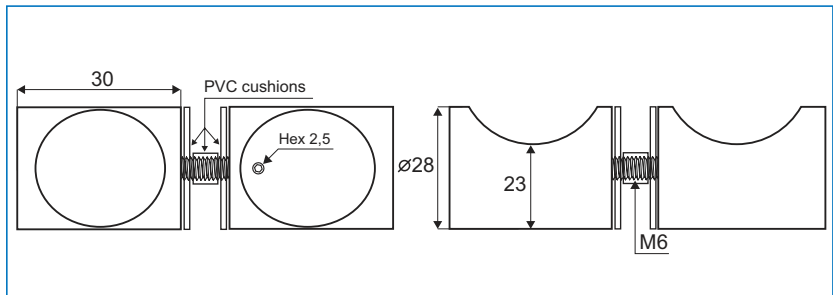
# DOOR KNOB „CORK“

**Material**  
Brass

**Size:**  $\varnothing 28 \times 30$  mm  
**Bore hole:**  $\varnothing 10$  mm  
**Glass thickness:** 6 - 12 mm

Chrome plated # 15.24.065

**Packing**  
60 pairs per carton



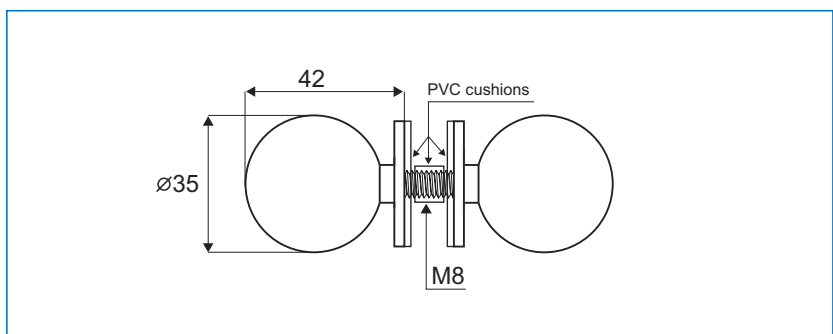
# DOOR KNOB „PARIS“

**Material**  
Brass

**Size:**  $\varnothing 35 \times 42$  mm  
**Bore hole:**  $\varnothing 10$  mm  
**Glass thickness:** 6 - 12 mm

SS-look # 15.24.081  
Chrome plated # 15.24.080  
Alu-finish # 15.24.082

**Packing**  
30 pairs per carton



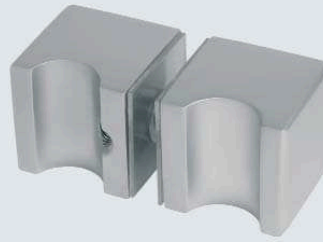
## DOOR KNOB „OSLO“

**Material**  
Brass

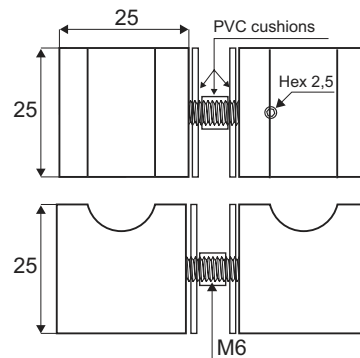
**Size:** 25 x 25 mm  
**Bore hole:**  $\varnothing$ 10 mm  
**Glass thickness:** 6 - 12 mm

SS-look # 15.24.035  
Chrome plated # 15.24.036  
Alu-finish # 15.24.037

**Packing**  
60 pairs per carton



Not for sale in Germany



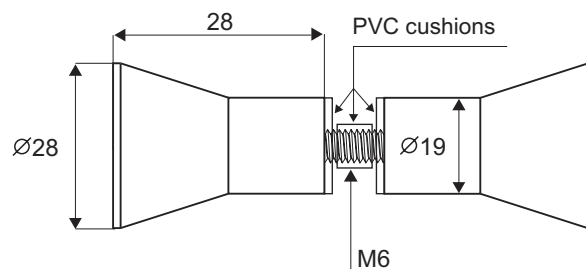
## DOOR KNOB „PORTO“

**Material**  
Brass

**Size:**  $\varnothing$ 28 x 28 mm  
**Bore hole:**  $\varnothing$ 10 mm  
**Glass thickness:** 6 - 12 mm

SS-look # 15.24.041  
Chrome plated # 15.24.040  
Alu-finish # 15.24.042

**Packing**  
60 pairs per carton



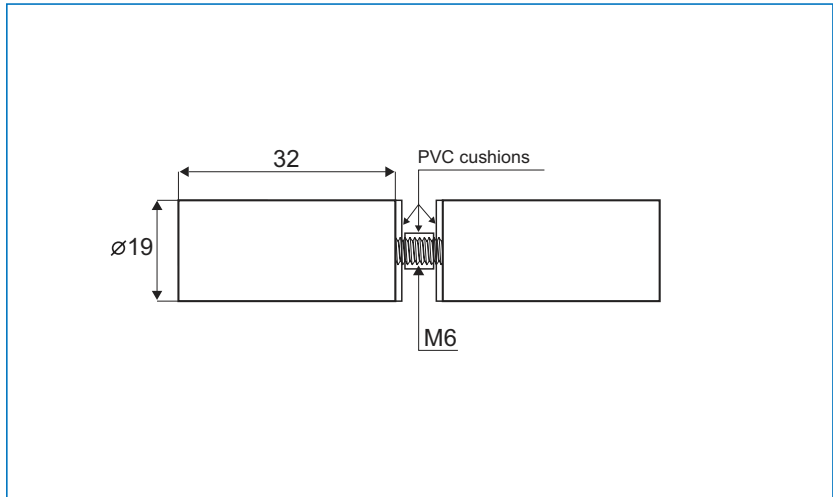
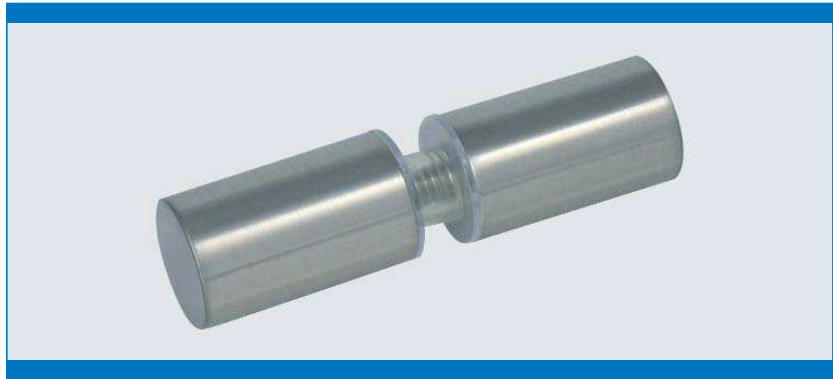
# DOOR KNOB „LYON“

**Material**  
Brass

**Size:**  $\varnothing 19 \times 32$  mm  
**Bore hole:**  $\varnothing 10$  mm  
**Glass thickness:** 6 - 12 mm

SS-look # 15.24.086  
Chrome plated # 15.24.085  
Alu-finish # 15.24.087

**Packing**  
60 pairs per carton



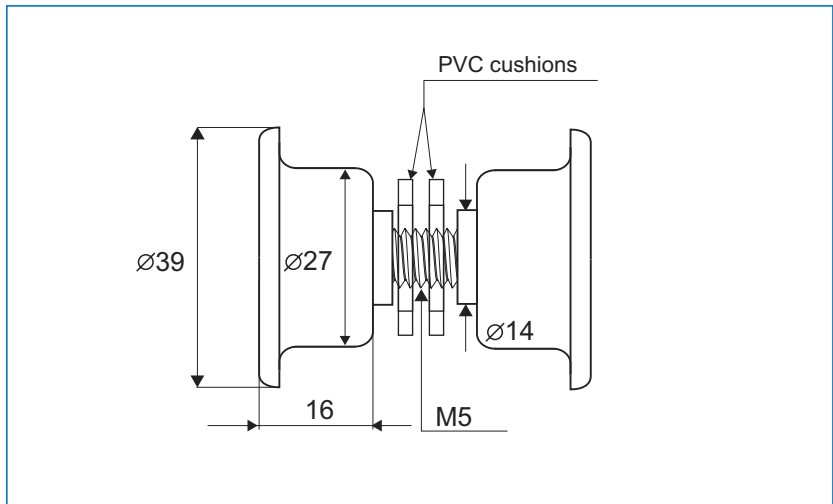
# DOOR KNOB „KIEL“

**Material**  
Brass

**Size:**  $\varnothing 39 \times 16$  mm  
**Bore hole:**  $\varnothing 14$  mm  
**Glass thickness:** 6 - 12 mm

Chrome plated # 15.24.090

**Packing**  
60 pairs per carton



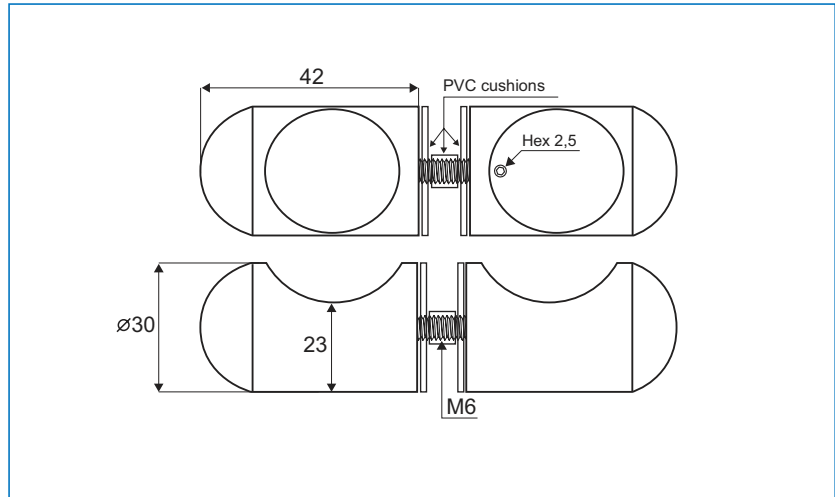
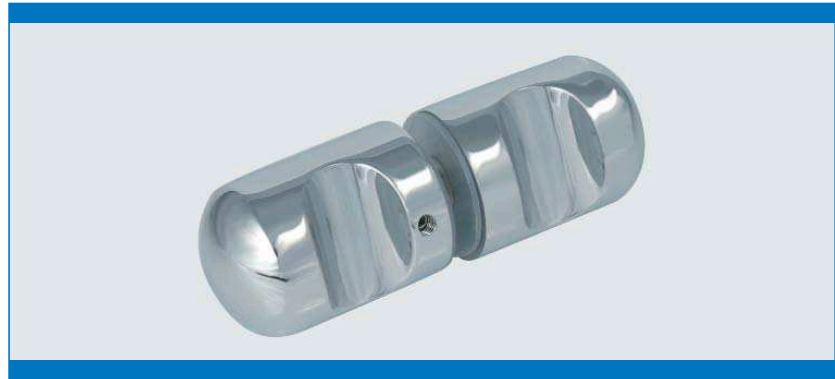
# DOOR KNOB „EUTIN“

**Material**  
Brass

**Size:**  $\varnothing 30 \times 42$  mm  
**Bore hole:**  $\varnothing 10$  mm  
**Glass thickness:** 6 - 12 mm

Chrome plated # 15.24.095

**Packing**  
60 pairs per carton



# DOOR BAR HANDLE SS304

**Application**

For glass doors  
Drilling required

**Material**

Hollow stainless steel tube 304,  
brushed

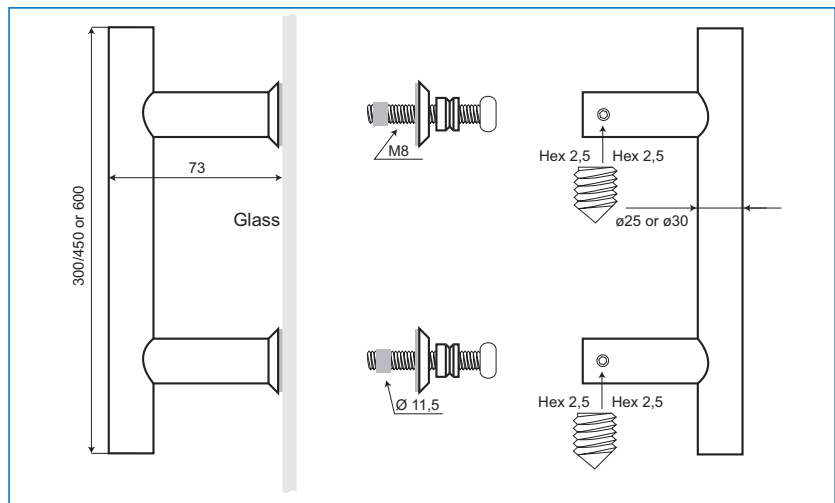
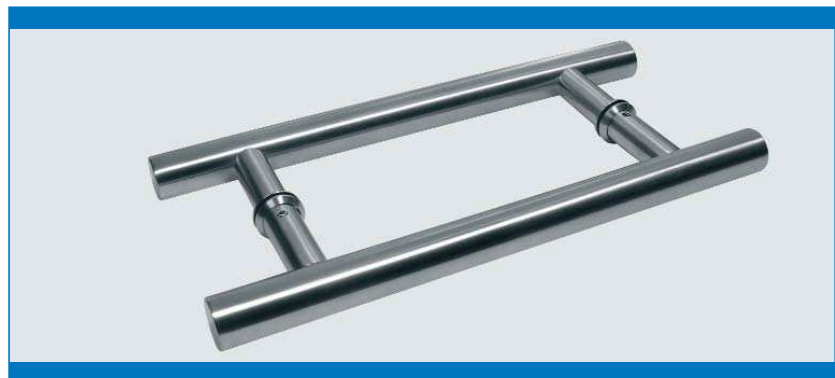
**Bore hole:**  $\varnothing 12$  mm  
**Glass thickness:** 8 - 12 mm

**Bar:**  $\varnothing 25 \times 300$  mm. **Leg:**  $\varnothing 19$  mm.  
c.c: 200 mm. # 17.87.000

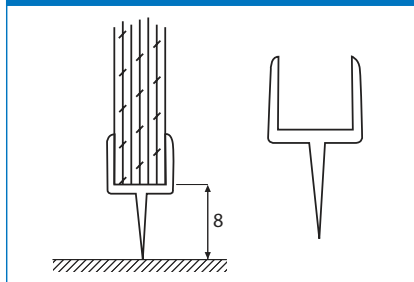
**Bar:**  $\varnothing 30 \times 450$  mm. **Leg:**  $\varnothing 22$  mm.  
c.c: 300 mm. # 17.87.010

**Bar:**  $\varnothing 30 \times 600$  mm. **Leg:**  $\varnothing 22$  mm.  
c.c: 400 mm. # 17.87.020

Inclusive transparent tube & washers

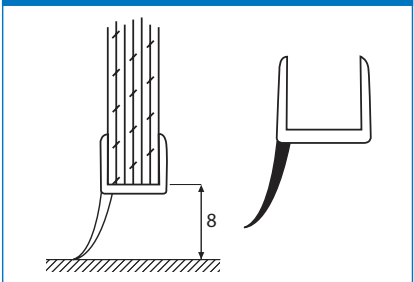


**Glass to Floor S-5701**



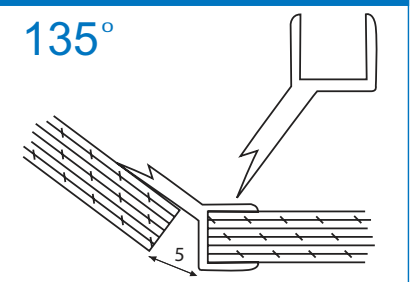
6 mm	2,5 meter	15.22.260
8 mm	2,5 meter	15.22.261
10 mm	2,5 meter	15.22.262
12 mm	2,5 meter	15.22.263

**Glass to Floor S-5702**



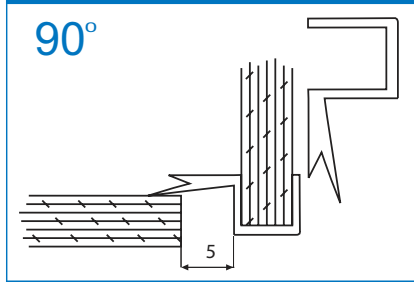
6 mm	2,5 meter	15.22.265
8 mm	2,5 meter	15.22.266
10 mm	2,5 meter	15.22.267
12 mm	2,5 meter	15.22.268

**Glass to Glass S-5703**



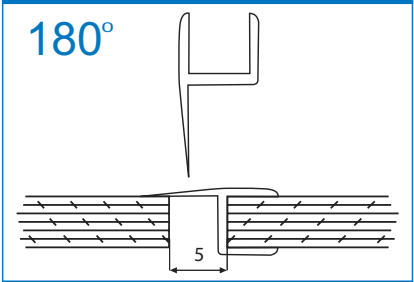
6 mm	2,5 meter	15.22.270
8 mm	2,5 meter	15.22.271
10 mm	2,5 meter	15.22.272
12 mm	2,5 meter	15.22.273

**Glass to Glass S-5704**



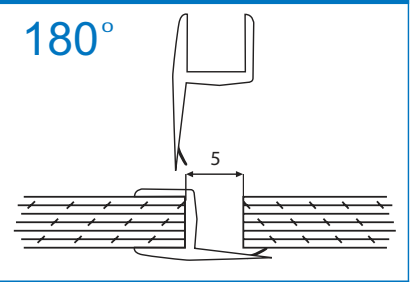
6 mm	2,5 meter	15.22.275
8 mm	2,5 meter	15.22.276
10 mm	2,5 meter	15.22.277
12 mm	2,5 meter	15.22.278

**Glass to Glass S-5705**



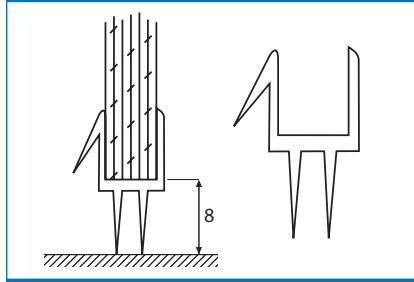
6 mm	2,5 meter	15.22.280
8 mm	2,5 meter	15.22.281
10 mm	2,5 meter	15.22.282
12 mm	2,5 meter	15.22.283

**Glass to Glass S-5706**



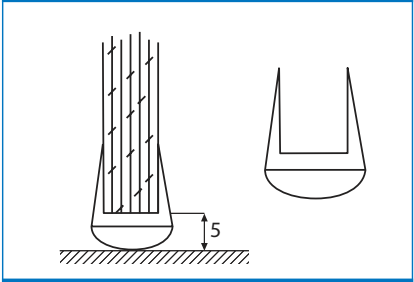
6 mm	2,5 meter	15.22.285
8 mm	2,5 meter	15.22.286
10 mm	2,5 meter	15.22.287
12 mm	2,5 meter	15.22.288

**Glass to Floor S-5707**



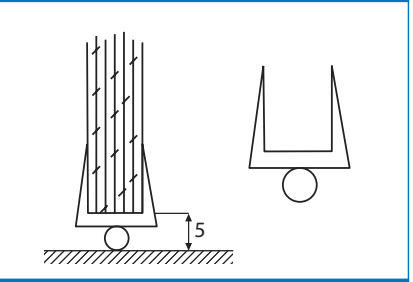
6 mm	2,5 meter	15.22.290
8 mm	2,5 meter	15.22.291
10 mm	2,5 meter	15.22.292
12 mm	2,5 meter	15.22.293

**Glass to Floor S-5708**



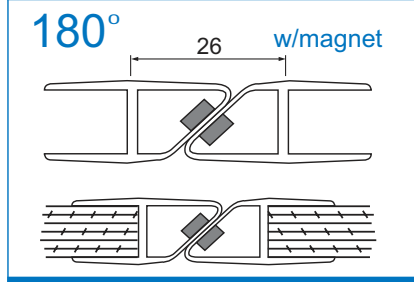
6 mm	2,5 meter	15.22.295
8 mm	2,5 meter	15.22.296
10 mm	2,5 meter	15.22.297
12 mm	2,5 meter	15.22.298

**Glass to Floor S-5709**



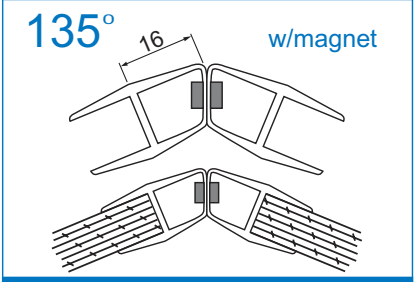
6 mm	2,5 meter	15.22.300
8 mm	2,5 meter	15.22.301
10 mm	2,5 meter	15.22.302
12 mm	2,5 meter	15.22.303

**Glass to Glass S-5711**



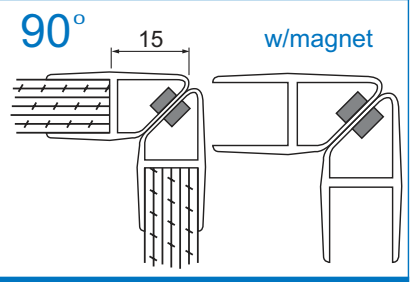
6 mm	2,5 meter	15.22.305
8 mm	2,5 meter	15.22.306
10 mm	2,5 meter	15.22.307
12 mm	2,5 meter	15.22.308

**Glass to Glass S-5712**



6 mm	2,5 meter	15.22.310
8 mm	2,5 meter	15.22.311
10 mm	2,5 meter	15.22.312
12 mm	2,5 meter	15.22.313

**Glass to Glass S-5713**



6 mm	2,5 meter	15.22.315
8 mm	2,5 meter	15.22.316
10 mm	2,5 meter	15.22.317
12 mm	2,5 meter	15.22.318

Packing: 100 pcs per export carton

### Application

For sliding glass doors in shower, offices or shops  
Drilling required

### Features

8 - 10 mm glass thickness

### Material

Stainless steel 304

**Max door load:** 120 KG

**1 set for door width 960 - 1060 mm consists of**

- 1 tube  $\varnothing 25 \times 2050$  mm
- 2 x end pieces for  $\varnothing 25$  tube
- 2 x door stoppers
- 2 x sliding rollers
- 1 x floor guide
- 1 x installation drawing

**Item No.:** # 28.29.001

### To be ordered separately:

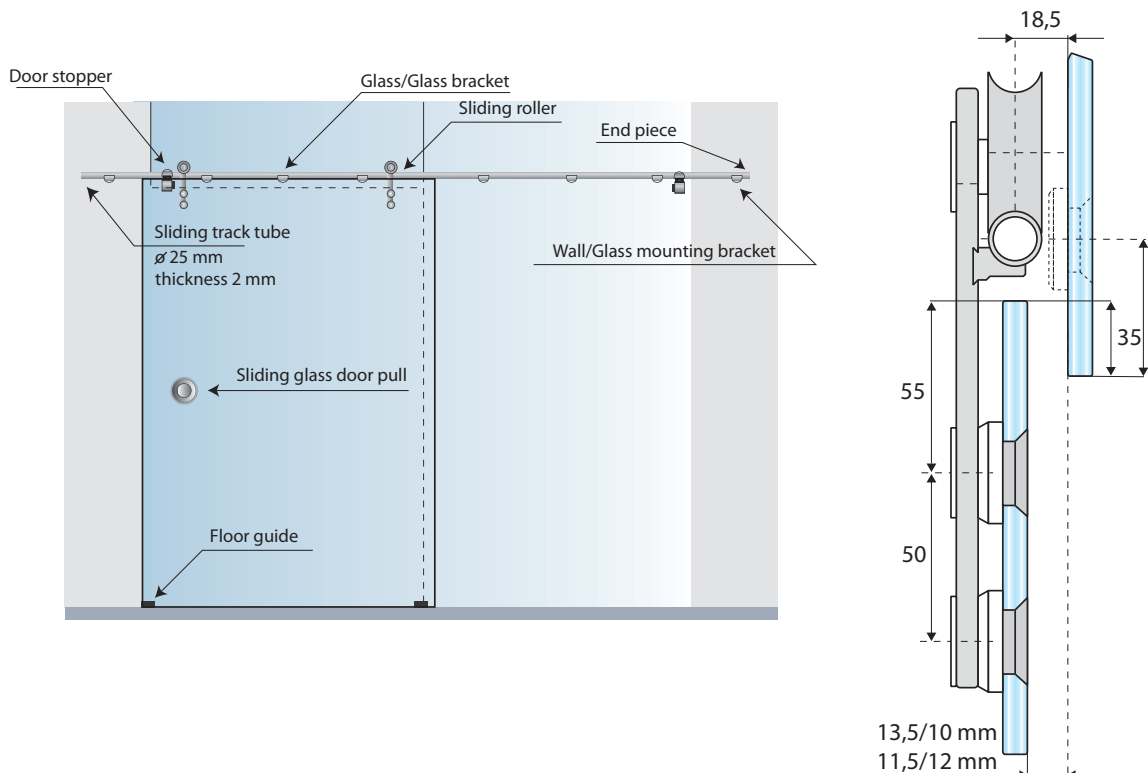
Wall/glass mounting brackets (5 pieces recommended) # 28.29.010

Glass/glass mounting brackets (5 pieces recommended) # 28.29.011

Side-wall mounting bracket  $f/\varnothing 25$  mm tube # 28.29.012

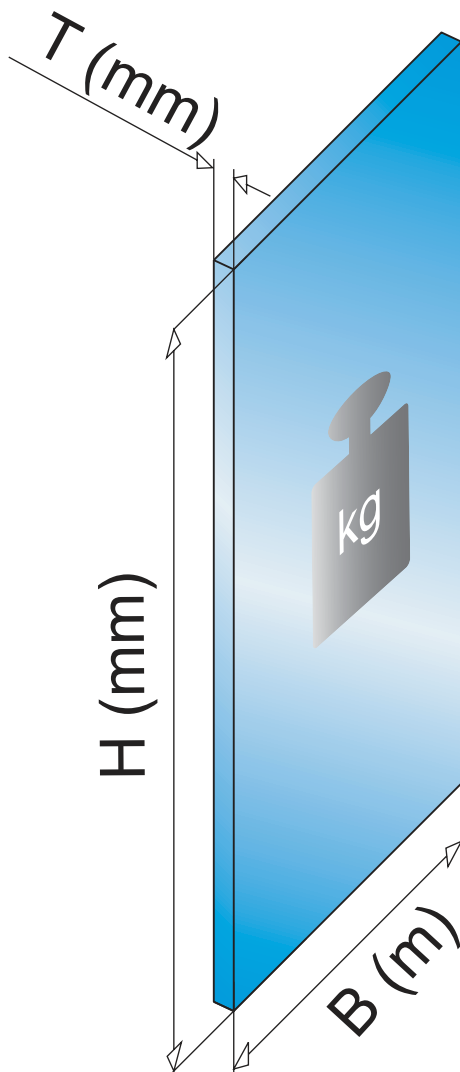
Sliding glass door pull  $\varnothing 65$  mm # 28.29.019

Mounting tool for snake eye screws: # 28.29.020





$$\text{kg} = H_{(m)} \times B_{(m)} \times 2,5 \times T_{(mm)}$$

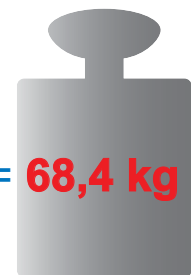


H = m  
B = m  
T = mm!

#### Example

H = 1,9 m  
B = 1,2 m  
T = 12 mm

$$1,9 \times 1,2 \times 2,5 \times 12 = \mathbf{68,4 \text{ kg}}$$





**Material:** Stainless steel 304  
**Finish:** Polished  
**Size:** ø 16 x 32 mm  
**Blister packing:** 1 pair  
incl. screws, hex key & wall plugs  
**Export packing:** 20 pairs  
**Item No.** # 17.73.100



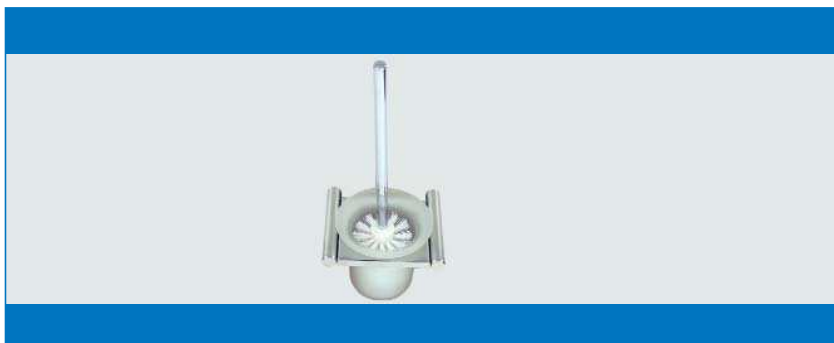
## TOILET ROLL HOLDER

**Material:** Stainless steel 304  
**Finish:** Polished  
**Size:** Feet: ø 18 x 65 mm  
Wire: ø 10 mm  
**Blister packing:** 1 pce.  
incl. screws, hex key & wall plugs  
**Export packing:** 20 pcs.  
**Item No.** # 17.73.000



## TOILET BRUSH WITH HOLDER

**Material:** Stainless steel 304  
**Finish:** Polished  
**Size:** Holder: 120 x 142 mm  
**Box packing:** 1 set  
incl. screws, hex key & wall plugs  
**Export packing:** 10 sets  
**Item No.** # 17.73.030



## MOUNTING METHOD

SAME MOUNTING METHOD  
FOR ALL PRODUCTS



---

A series of horizontal dotted lines for writing notes, spanning the width of the page.

---

A series of horizontal dotted lines for taking notes, spanning the width of the page.

---

A series of horizontal dotted lines for taking notes, spanning the width of the page.